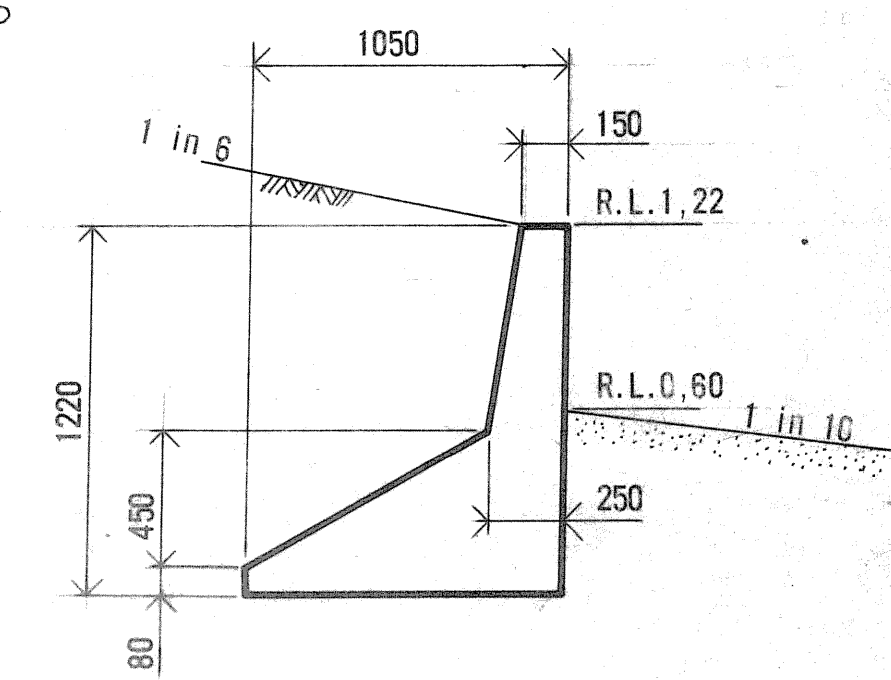
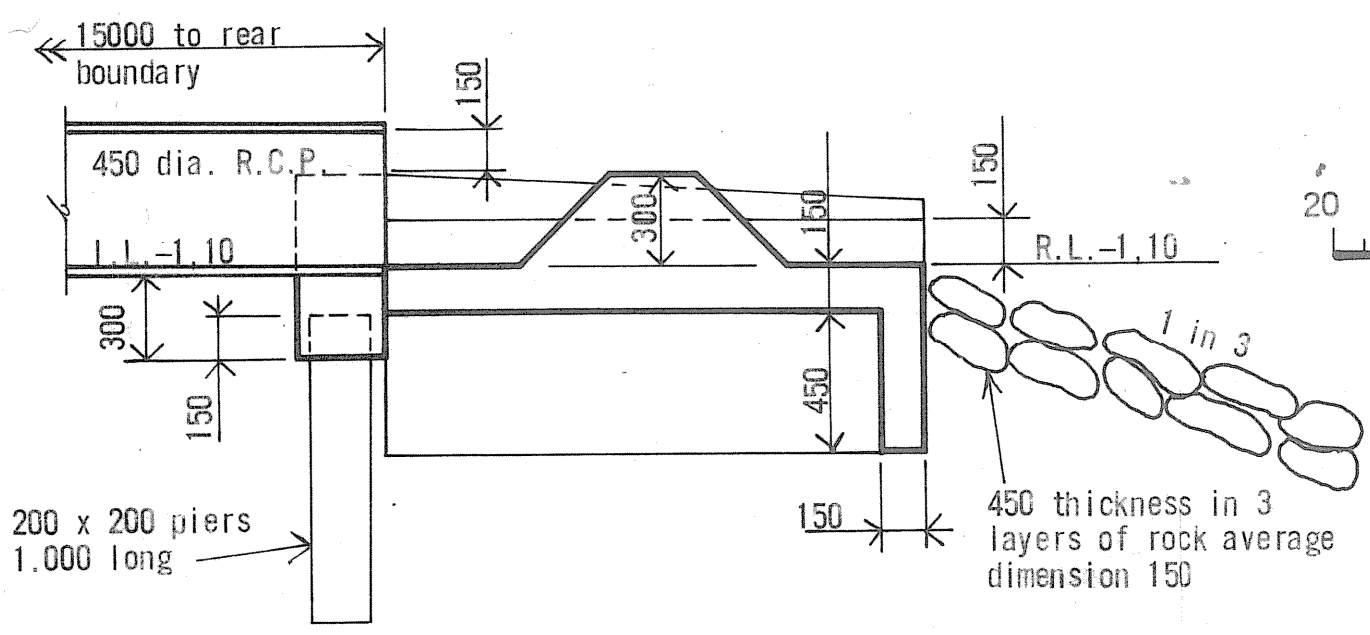


ROCK PROTECTION DETAIL
 SCALE: 1 : 20



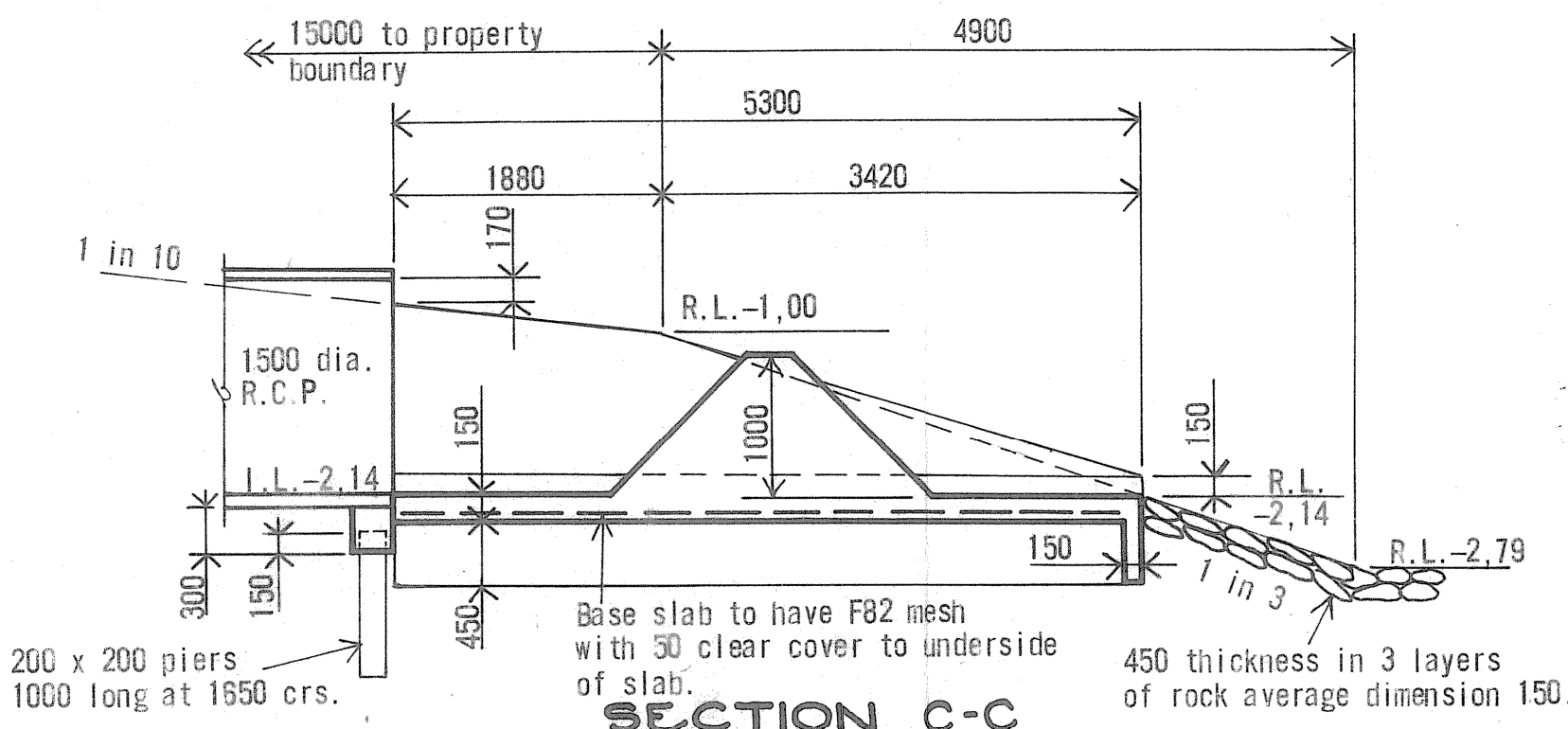
REVETMENT WALL DETAIL
 SCALE: 1 : 25



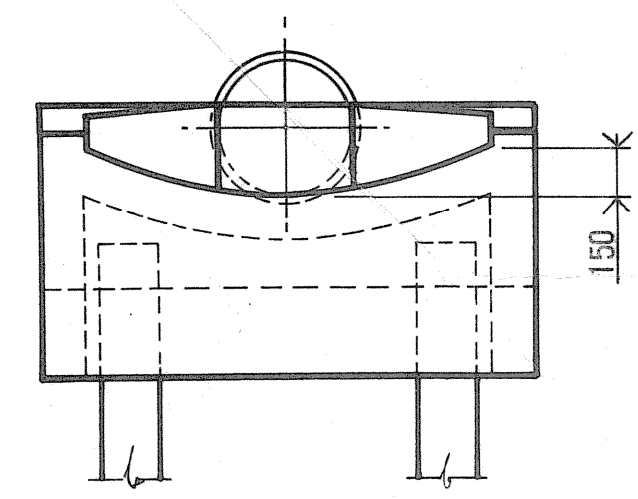
SECTION A-A

PLAN
 SCALE: 1 : 1250

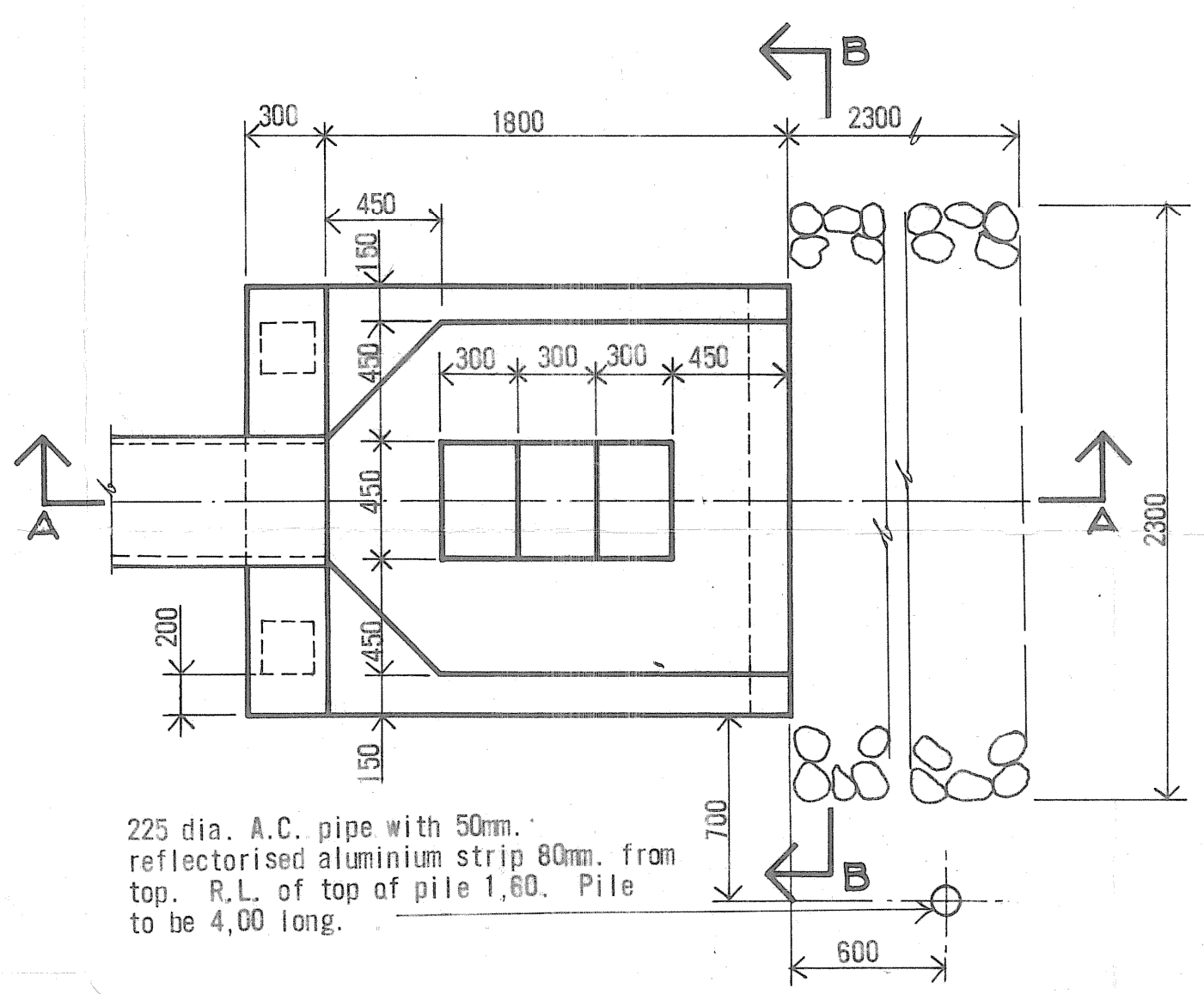
DETAIL A
 NOT TO SCALE



SECTION C-C
 SCALE: 1 : 50

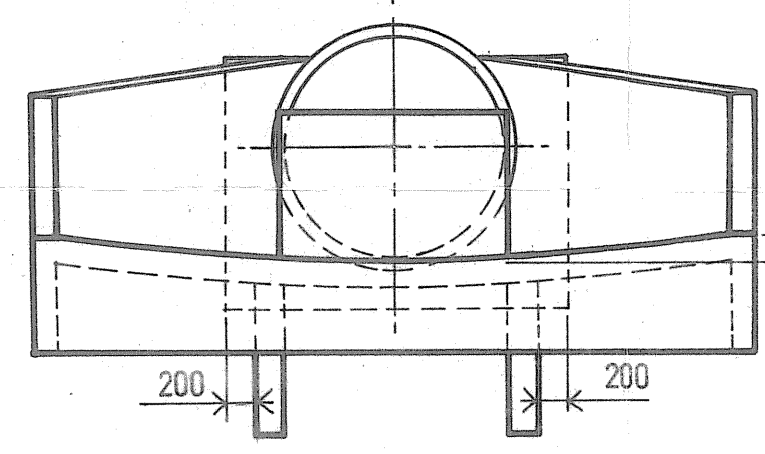


SECTION B-B

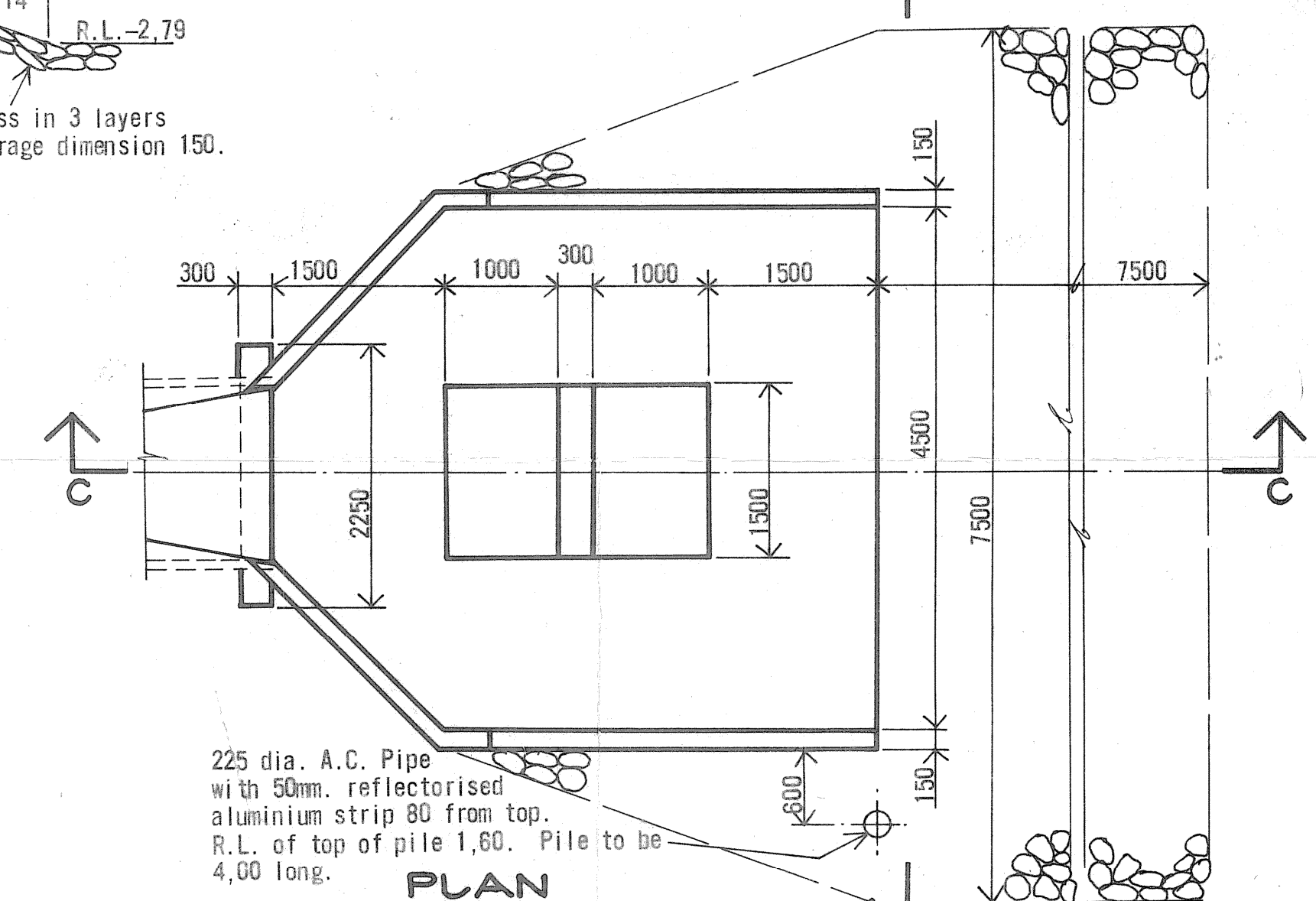


PLAN

OUTLET TO DRAINLINE N°s 1 AND 6
 SCALE: 1 : 25



SECTION D-D
 SCALE: 1 : 50



PLAN

OUTLET TO DRAINLINE N° 10
 SCALE: 1 : 50

DATUM A.H.D.		ASSOCIATED CONSULTANTS 		CARDNO & DAVIES Australia Pty.Ltd. CONSULTING CIVIL STRUCTURAL AND TRAFFIC ENGINEERS HEAD OFFICE 427 CORONATION DRIVE AUCHENFLOWER 4066 PHONE 3701101 SURFERS PARADISE 4217 PHONE 399 333 TELE 41437 TOWNVILLE 4810 PHONE 715 082 BRUNSWICK HEADS NSW PHONE 432555 PORT MORLESBY PNG PHONE 27 35 MARGOCHYDORRE 4558 PHONE 432555 DESIGNED: B.N.A. SCALE: AS SHOWN APPROVED: REF: A1 DRAWN: G.F.B. CHECKED: B.T.H.		HAWANA ESTATES PTY. LTD. MINYAMA WATERS DEVELOPMENT N°4 SUBDIVISIONAL ROADWORKS AND DRAINAGE MULLOKA AND MYAMBULA CANALS DRAINAGE DETAILS DATE 4.4.1977 DRAWING NO. 35-478F8 34	
REVISIONS AND REVISIONS		23.6.77 Revetment wall detail amended B.N.A. A INIT Rd.Rv. DATE REVISIONS INIT Rd.Rv.		DATE REVISIONS INIT Rd.Rv. DATE REVISIONS INIT Rd.Rv.		REDUCTIONS REVISIONS	