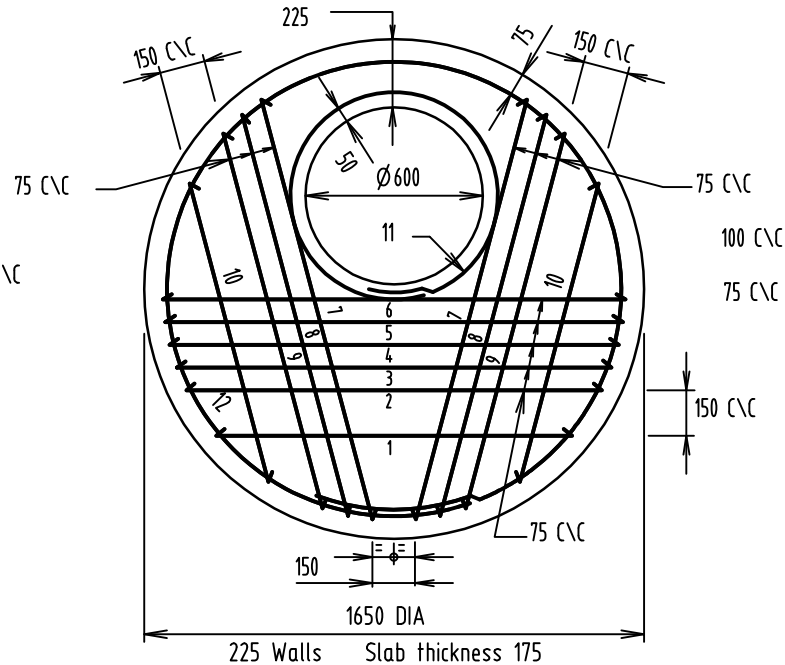


BAR No.	SHAPE	'a'/'b'	OVERALL LENGTH	No. OFF	TOTAL LENGTH
1		937	1175	1	1175
2		1030	1255	1	1255
3		1125	1350	1	1350
4		1175	1400	1	1400
5		1225	1450	1	1450
6		1125	1350	2	2700
7		1000	1225	2	2450
8		812	1050	2	2100
9		700	2600	1	2600
10		1200	4200	1	4200
TOTAL					20680

STEEL MASS : 19kg
 CONCRETE : 0.20m
 TOTAL MASS : 508kg

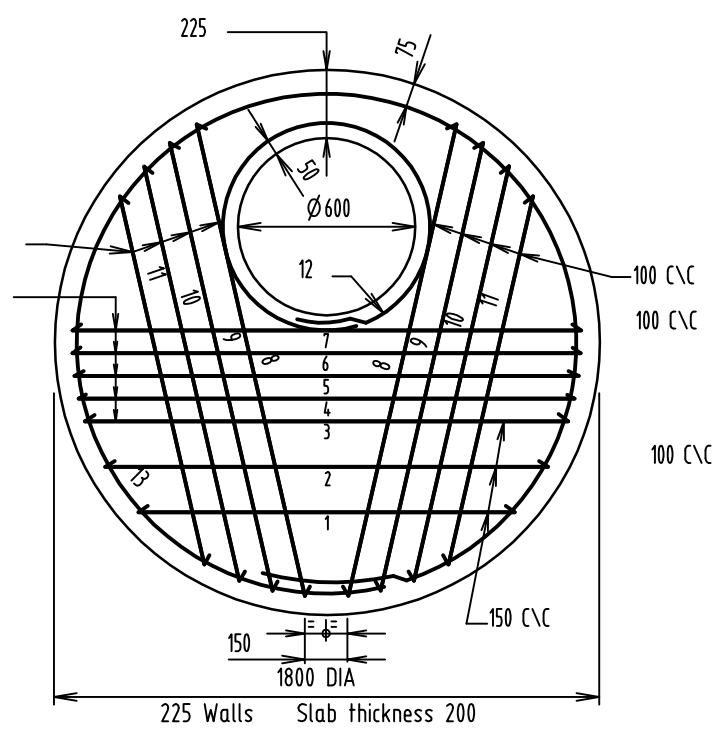
1050 DIA ACCESS CHAMBER



BAR No.	SHAPE	'a'/'b'	OVERALL LENGTH	No. OFF	TOTAL LENGTH
1		1200	1425	1	1425
2		1400	1625	1	1625
3		1450	1675	1	1675
4		1500	1725	1	1725
5		1520	1745	1	1745
6		1537	1775	1	1775
7		1450	1675	2	3350
8		1375	1600	2	3200
9		1300	1525	2	3050
10		1050	1275	2	2550
11		700	2600	1	2600
12		1500	5150	1	5150
TOTAL					23250

STEEL MASS : 27kg
 CONCRETE : 0.33m
 TOTAL MASS : 818kg

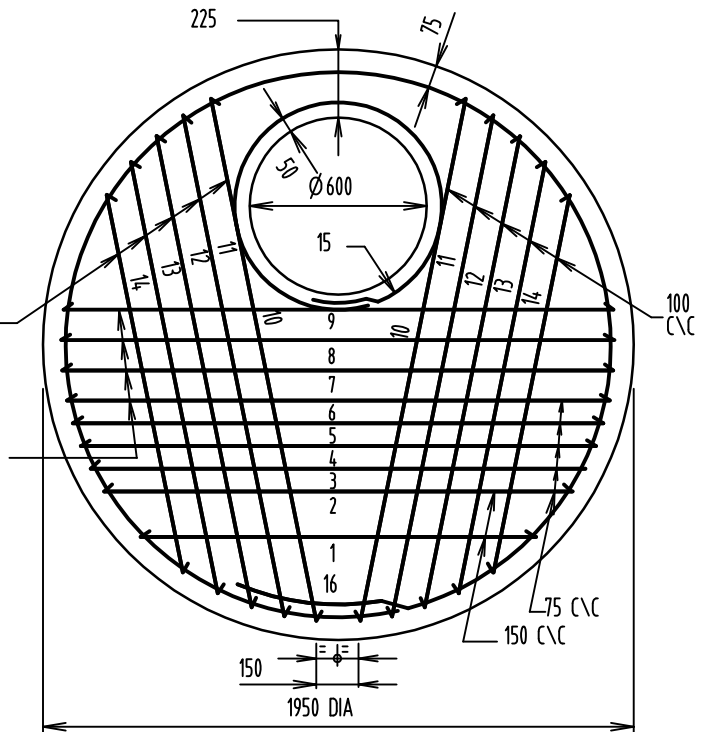
1200 DIA ACCESS CHAMBER



BAR No.	SHAPE	'a'/'b'	OVERALL LENGTH	No. OFF	TOTAL LENGTH
1		1275	1500	1	1500
2		1488	1725	1	1725
3		1612	1850	1	1850
4		1645	1870	1	1870
5		1675	1900	1	1900
6		1675	1900	1	1900
7		1675	1900	1	1900
8		1600	1825	2	3650
9		1525	1750	2	3500
10		1412	1650	2	3300
11		1262	1500	2	3000
12		700	2600	1	2600
13		1650	5625	1	5625
TOTAL					34320

STEEL MASS : 31kg
 CONCRETE : 0.45m
 TOTAL MASS : 1138kg

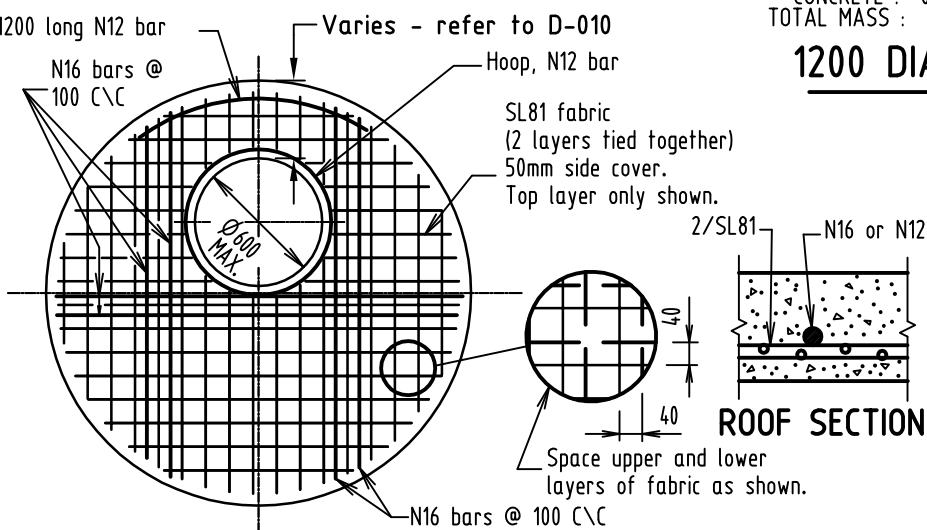
1350 DIA ACCESS CHAMBER



BAR No.	SHAPE	'a'/'b'	OVERALL LENGTH	No. OFF	TOTAL LENGTH
1		1337	1575	1	1575
2		1575	1800	1	1800
3		1645	1870	1	1870
4		1712	1950	1	1950
5		1756	1980	1	1980
6		1800	2025	1	2025
7		1825	2050	1	2050
8		1837	2075	1	2075
9		1825	2050	1	2050
10		1762	2000	2	4000
11		1700	1925	2	3850
12		1600	1825	2	3650
13		1462	1700	2	3400
14		1275	1500	2	3000
15		700	2600	1	2600
16		1800	6100	1	6100
TOTAL					43975

STEEL MASS : 39kg
 CONCRETE : 0.55m
 TOTAL MASS : 1360kg

1500 DIA ACCESS CHAMBER



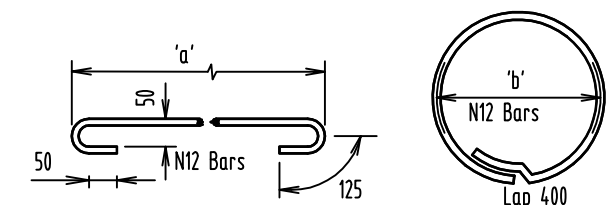
FABRIC REINFORCEMENT ALTERNATIVE AND Ø1800 AND Ø2100 CHAMBERS

FABRIC REINFORCED SLAB

NOM CHAMBER DIA	ROOF THICKNESS
1050	175
1200	175
1350	200
1500	250
1800	250
2100	250

NOTES

- Concrete N40 in accordance with AS 1379 and AS 3600.
- Reinforcement cover 30 Min. (btm cover).
- Reinforcement:- SL81 Fabric to AS 4671, Bars N12 and N16, Grade 400 to AS 4671.
- Roof design based on Austroads Bridge Code, W7 wheel load, dynamic factor 0.4.
- All dimensions in millimetres.



REINFORCEMENT DIMENSIONS

These drawings have been developed in consultation between the participating Councils. BEFORE USE, the user shall confirm that the drawing has been adopted by the appropriate Council.



INSTITUTE OF PUBLIC WORKS ENGINEERING AUSTRALIA
 QUEENSLAND DIVISION INC.
 STANDARD DRAWINGS

ACCESS CHAMBER
 ROOF SLABS
 DIA 1050 - 2100

DS-011