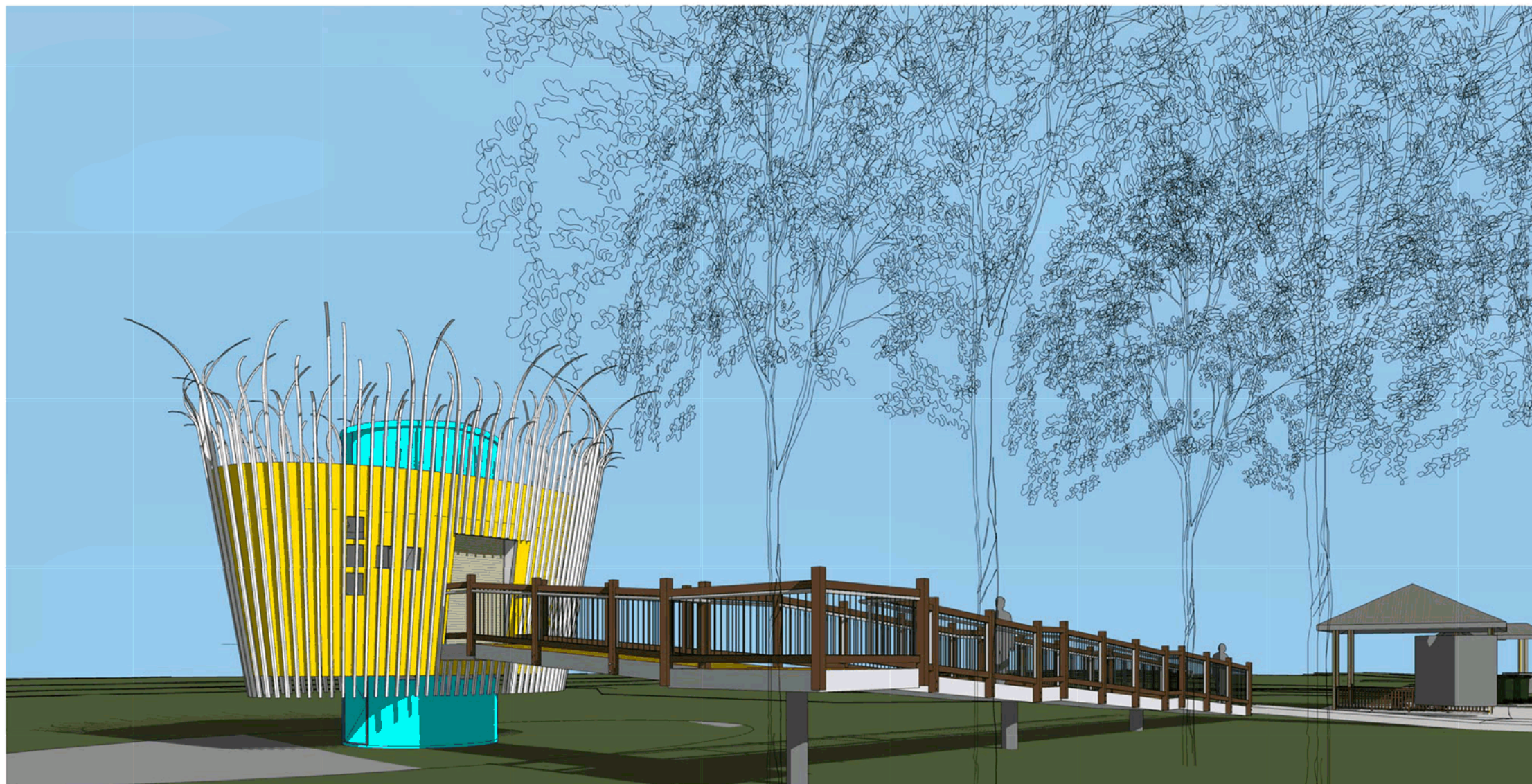


THIS DOCUMENT IS THE PROPERTY OF MODE DESIGN AND SHOULD NOT BE REPRODUCED WITHOUT WRITTEN PERMISSION.
- Verify all dimensions on site prior to commencement of work.
- DO NOT scale off these drawings.
- Report any discrepancies to the architect before carrying out any work.



AMENDMENTS

REV	DATE	DESCRIPTION	AL
C	29.05.2017	DESIGN DEVELOPMENT	AS
D	14.06.2017	PD FINAL	AS



ISSUE	NORTH
DESIGN DEVELOPMENT	


SUNSHINE COAST
Suite 2, 9 Capital Pl,
Birtinya QLD 4575
T +61 7 5437 8574
ssc@modedesign.com.au
ABN: 65 112 807 931

CLIENT
SUNSHINE COAST COUNCIL

PROJECT
ISAAC MOORE PARK
TOILET BLOCK

DRAWING TITLE
COVER SHEET

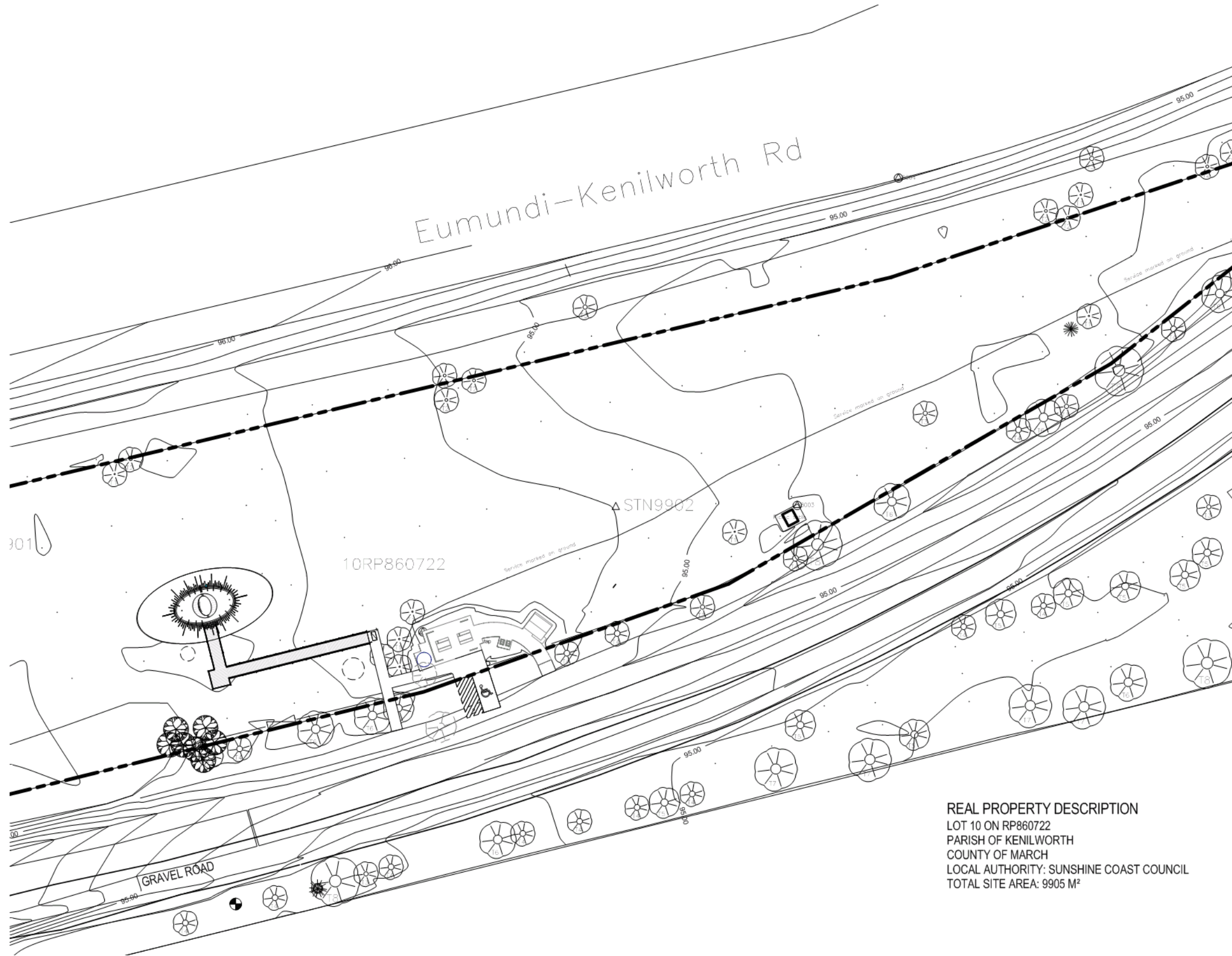
DRAWN: AS CHECKED: AF

FIRST ISSUE: 10/03/17 SCALE @ A3:

PROJECT No	STAGE	DRAWING No	REV

ARCHITECTURAL DRAWINGS	
A-0000	COVER SHEET
A-1000	SITE KEY PLAN
A-1001	SITE PLAN
A-1100	GROUND FLOOR PLAN
A-1101	FIRST FLOOR PLAN
A-1200	ROOF PLAN
A-1300	GROUND FLOOR SETOUT PLAN
A-1302	ROOF SETOUT PLAN
A-1350	RAMP PLAN AND DETAILS
A-1351	RAMP DETAILS
A-1500	ELEVATIONS - SHEET 1

ARCHITECTURAL DRAWINGS	
A-1510	INTERNAL ELEVATIONS - SHEET 1
A-1511	INTERNAL ELEVATIONS - SHEET 2
A-1520	PERSPECTIVES
A-1521	PHOTOMONTAGE
A-1522	PHOTOMONTAGE
A-1600	SECTIONS - SHEET 1
A-1601	DETAIL SECTION
A-1602	DETAIL SECTION
A-1610	TYPICAL PWD DETAILS
A-1611	TYPICAL AMBULANT WC DETAILS



1 SITE KEY PLAN
 SCALE 1:500

REAL PROPERTY DESCRIPTION
 LOT 10 ON RP860722
 PARISH OF KENILWORTH
 COUNTY OF MARCH
 LOCAL AUTHORITY: SUNSHINE COAST COUNCIL
 TOTAL SITE AREA: 9905 M²

These drawings are to be used for information only and are not to be reproduced without written permission.
 - Verify all dimensions on site prior to commencement of work.
 - DO NOT scale off these drawings.
 - Report any discrepancies to the architect before carrying out any work.

AMENDMENTS			
REV	DATE	DESCRIPTION	AL
A	10.03.2017	PRELIMINARY	AS
B	07.04.2017	PRELIMINARY	AF
C	29.05.2017	DESIGN DEVELOPMENT	AS
D	14.06.2017	PD FINAL	AS



ISSUE
 DESIGN DEVELOPMENT

mode SUNSHINE COAST
 Suite 2, 9 Capital Pl,
 Birtinya QLD 4575
 T +61 7 5437 8574
 ssc@modedesign.com.au
 ABN: 65 112 807 931

CLIENT
 SUNSHINE COAST COUNCIL

PROJECT
 ISAAC MOORE PARK
 TOILET BLOCK

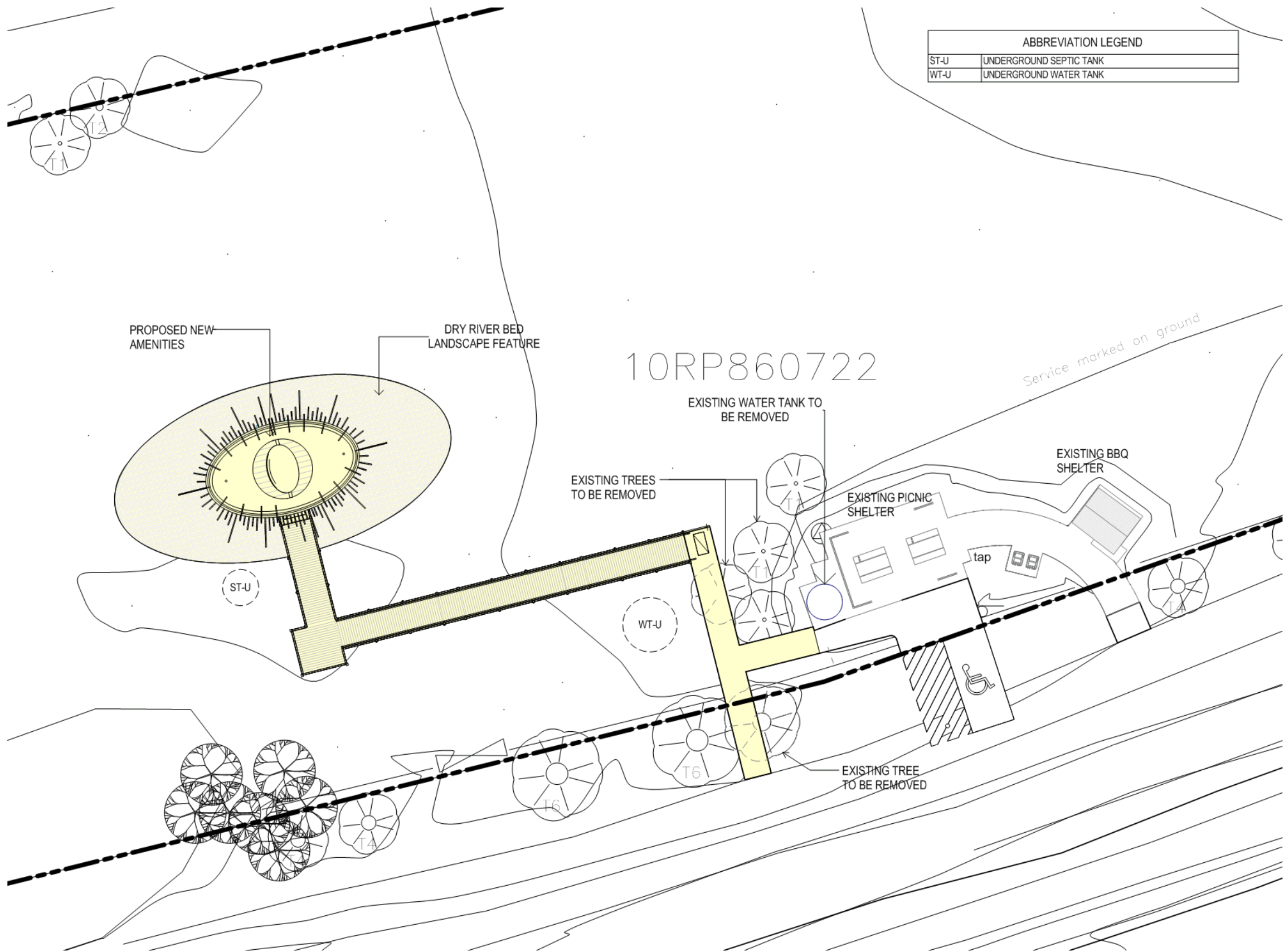
DRAWING TITLE
 SITE KEY PLAN

DRAWN: AS	CHECKED: AF
FIRST ISSUE: 10/03/17	SCALE @ A3: 1:500
PROJECT No	STAGE
DRAWING No	REV

These drawings are the property of the architect and are to be reproduced without written permission.
 - Verify all dimensions on site prior to commencement of work.
 - DO NOT scale off these drawings.
 - Report any discrepancies to the architect before carrying out any work.

AMENDMENTS			
REV	DATE	DESCRIPTION	AL
D	14.06.2017	PD FINAL	AS

ABBREVIATION LEGEND	
ST-U	UNDERGROUND SEPTIC TANK
WT-U	UNDERGROUND WATER TANK



1 SITE PLAN
 SCALE 1:200



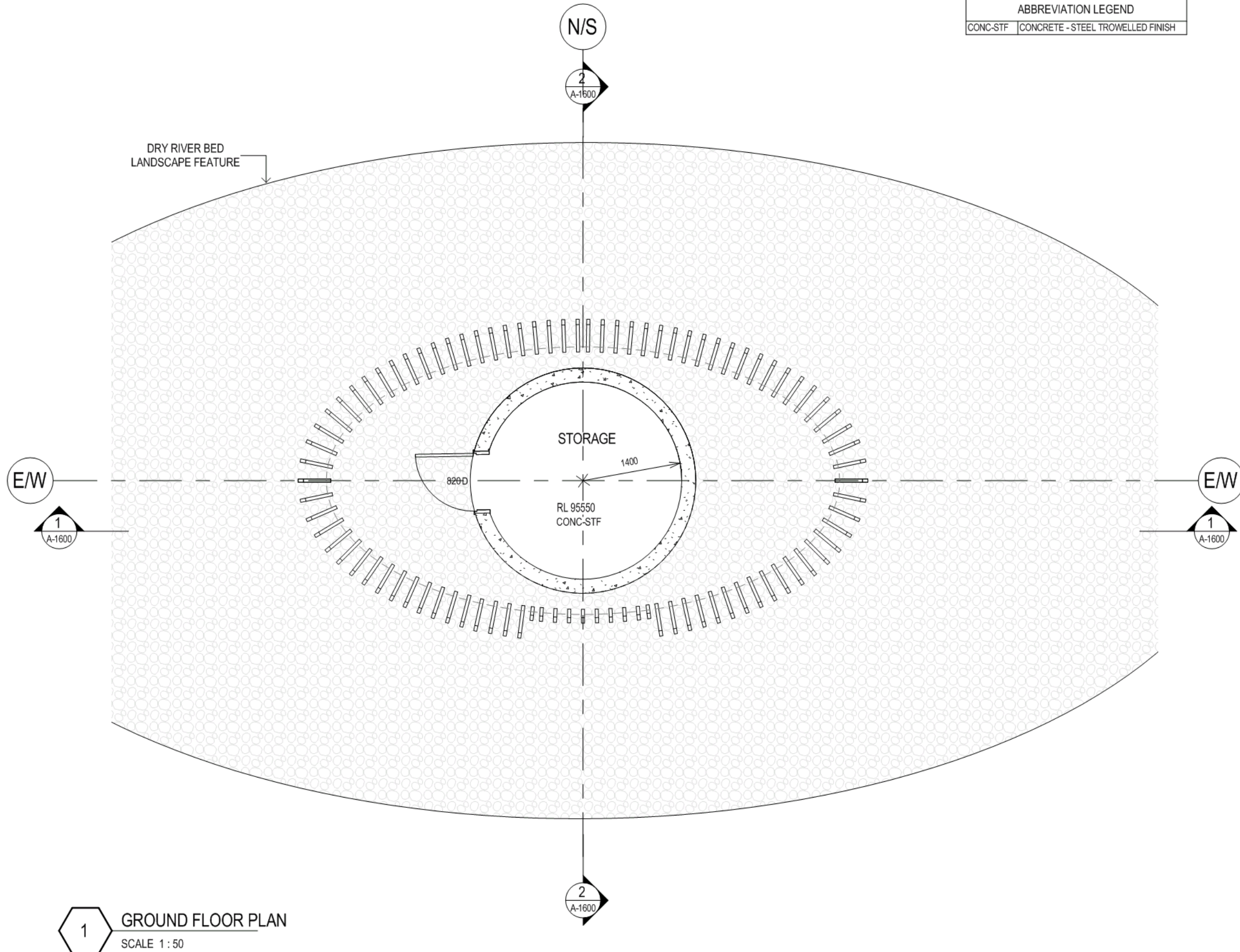
mode
 SUNSHINE COAST
 Suite 2, 9 Capital Pl,
 Birtinya QLD 4575
 T +61 7 5437 8574
 ssc@modedesign.com.au
 ABN: 65 112 807 931

CLIENT
 SUNSHINE COAST COUNCIL

PROJECT
 ISAAC MOORE PARK
 TOILET BLOCK

DRAWING TITLE
 SITE PLAN

DRAWN: AS	CHECKED: AF		
FIRST ISSUE: 10/03/17	SCALE @ AS: 1:200		
PROJECT No	STAGE	DRAWING No	REV



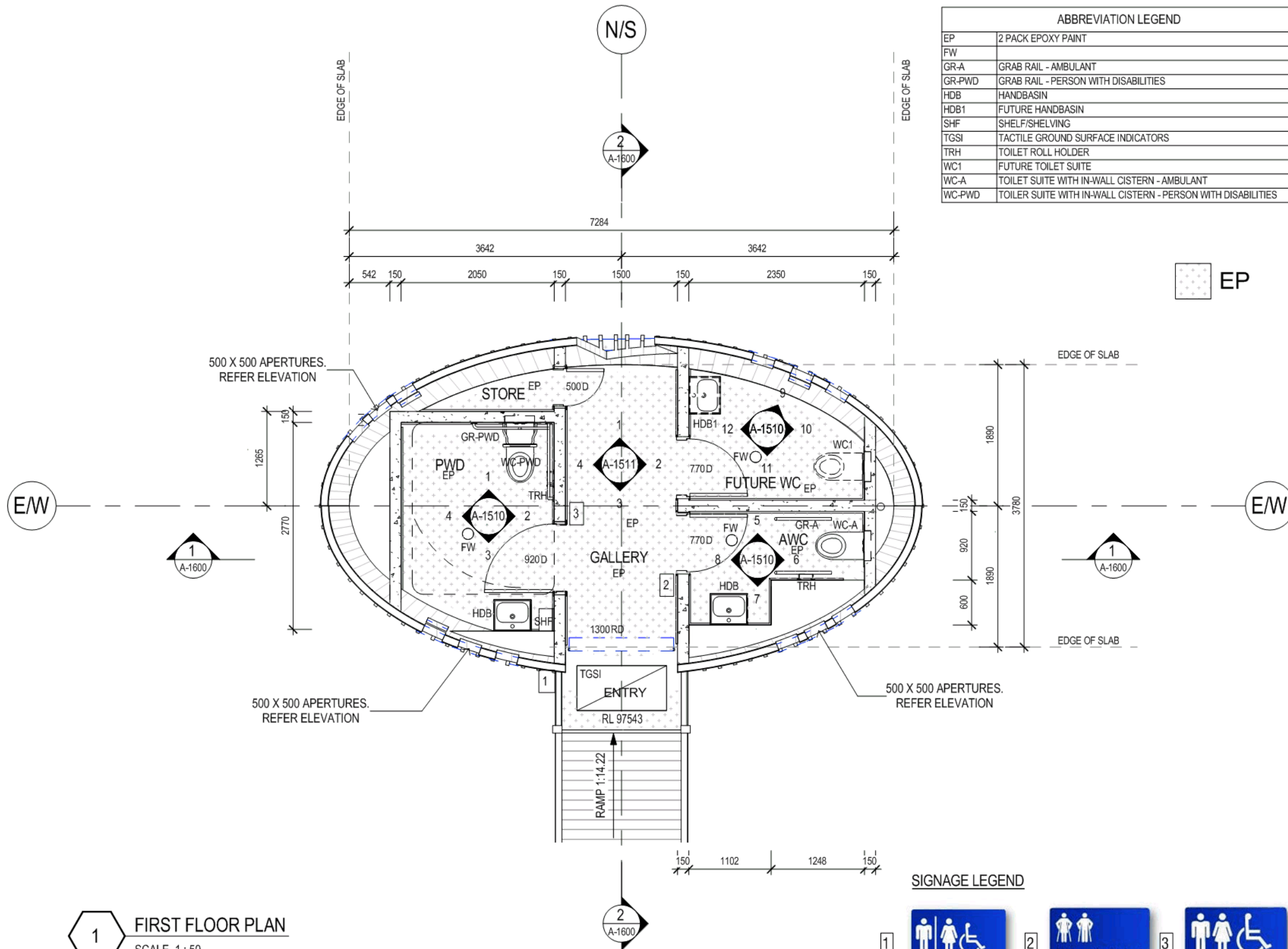
ABBREVIATION LEGEND	
CONC-STF	CONCRETE - STEEL TROWELLED FINISH

These drawings are to be used for information only and are not to be reproduced without written permission.
 - Verify all dimensions on site prior to commencement of work.
 - DO NOT scale off these drawings.
 - Report any discrepancies to the architect before carrying out any work.

AMENDMENTS			
REV	DATE	DESCRIPTION	AL
B	07.04.2017	PRELIMINARY	AF
C	29.05.2017	DESIGN DEVELOPMENT	AS
D	14.06.2017	PD FINAL	AS

Sunshine Coast COUNCIL

ISSUE DESIGN DEVELOPMENT	NORTH
<p>SUNSHINE COAST Suite 2, 9 Capital Pl, Birtinya QLD 4575 T +61 7 5437 8574 ssc@modedesign.com.au ABN: 65 112 807 931</p>	
CLIENT SUNSHINE COAST COUNCIL	
PROJECT ISAAC MOORE PARK TOILET BLOCK	
DRAWING TITLE GROUND FLOOR PLAN	
DRAWN: AS	CHECKED: AF
FIRST ISSUE: 10/03/17	SCALE @ A3: 1:50
PROJECT No	STAGE
DRAWING No	REV



ABBREVIATION LEGEND

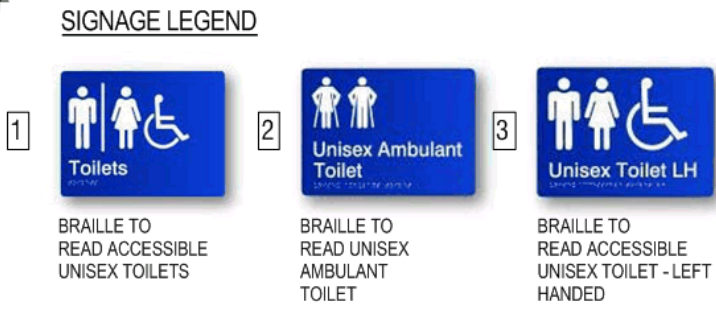
EP	2 PACK EPOXY PAINT
FW	
GR-A	GRAB RAIL - AMBULANT
GR-PWD	GRAB RAIL - PERSON WITH DISABILITIES
HDB	HANDBASIN
HDB1	FUTURE HANDBASIN
SHF	SHELF/SHELVING
TGSI	TACTILE GROUND SURFACE INDICATORS
TRH	TOILET ROLL HOLDER
WC1	FUTURE TOILET SUITE
WC-A	TOILET SUITE WITH IN-WALL CISTERN - AMBULANT
WC-PWD	TOILET SUITE WITH IN-WALL CISTERN - PERSON WITH DISABILITIES

PLEASE REPRODUCE THIS DOCUMENT AS A COPY AND PASTE ONLY. IT IS TO BE REPRODUCED WITHOUT WRITTEN PERMISSION.
 - Verify all dimensions on site prior to commencement of work.
 - DO NOT scale off these drawings.
 - Report any discrepancies to the architect before carrying out any work.

AMENDMENTS

REV	DATE	DESCRIPTION	AL
A	10.03.2017	PRELIMINARY	AS
B	07.04.2017	PRELIMINARY	AF
C	29.05.2017	DESIGN DEVELOPMENT	AS
D	14.06.2017	PD FINAL	AS

1 **FIRST FLOOR PLAN**
 SCALE 1:50

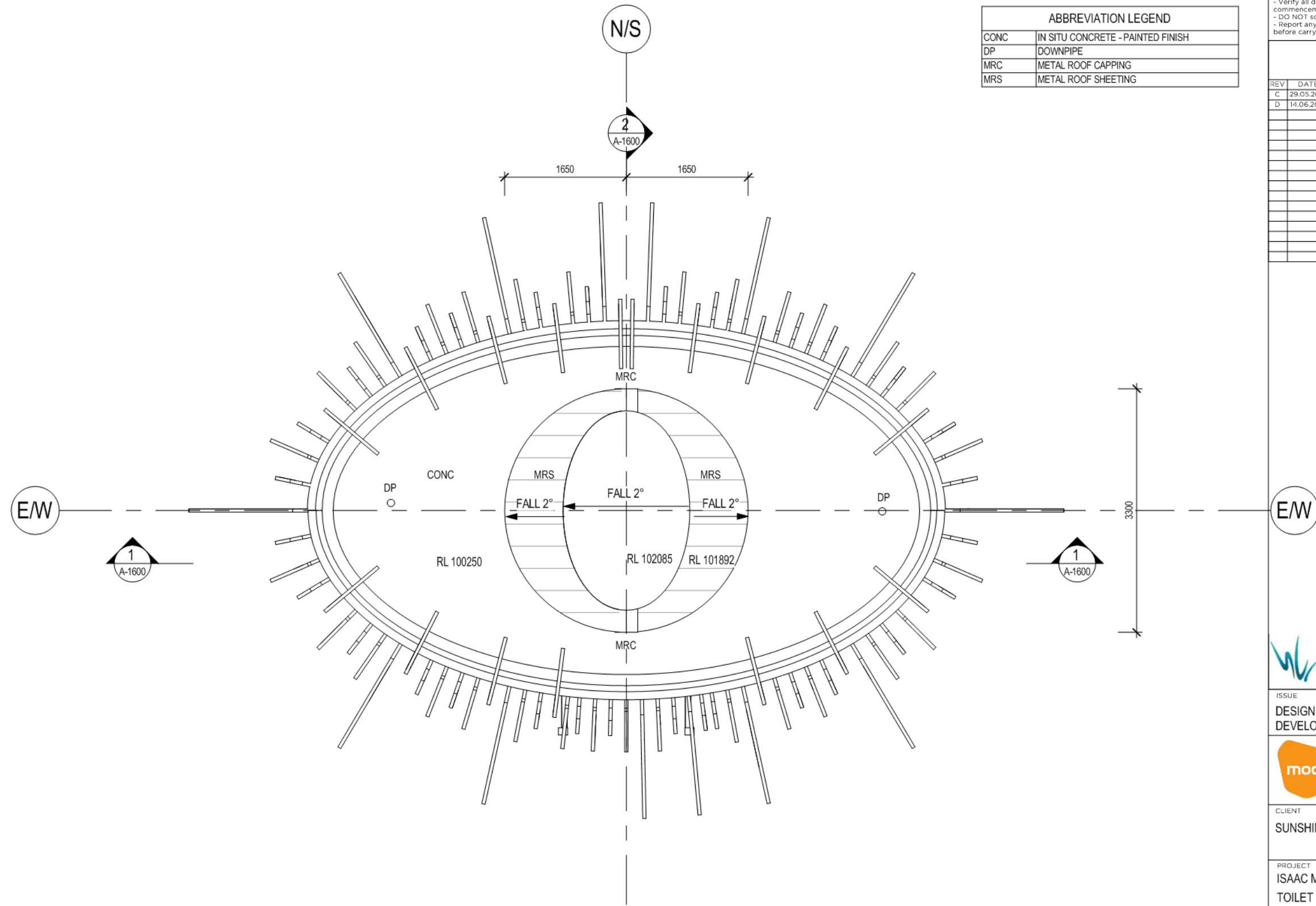


SUNSHINE COAST COUNCIL
 ISSUE: DESIGN DEVELOPMENT

 SUNSHINE COAST
 Suite 2, 9 Capital Pl,
 Birtinya QLD 4575
 T +61 7 5437 8574
 ssc@modedesign.com.au
 ABN: 65 112 807 931

CLIENT: SUNSHINE COAST COUNCIL
 PROJECT: ISAAC MOORE PARK TOILET BLOCK
 DRAWING TITLE: FIRST FLOOR PLAN

DRAWN: AS	CHECKED: AF
FIRST ISSUE: 10/03/17	SCALE @ A3: As Indicated
PROJECT No:	STAGE:
DRAWING No:	REV:



ABBREVIATION LEGEND	
CONC	IN SITU CONCRETE - PAINTED FINISH
DP	DOWNPIPE
MRC	METAL ROOF CAPPING
MRS	METAL ROOF SHEETING

MODE DESIGN GROUP PTY LTD AND CONSULTANTS
 reproduced without written permission.
 - Verify all dimensions on site prior to commencement of work.
 - DO NOT scale off these drawings.
 - Report any discrepancies to the architect before carrying out any work.

AMENDMENTS			
REV	DATE	DESCRIPTION	AL
C	29.05.2017	DESIGN DEVELOPMENT	AS
D	14.06.2017	PD FINAL	AS

1 ROOF SOFFIT
 SCALE 1:50



ISSUE
 DESIGN DEVELOPMENT

mode SUNSHINE COAST
 Suite 2, 9 Capital Pl,
 Birtinya QLD 4575
 T +61 7 5437 8574
 ssc@modedesign.com.au
 ABN: 65 112 807 931

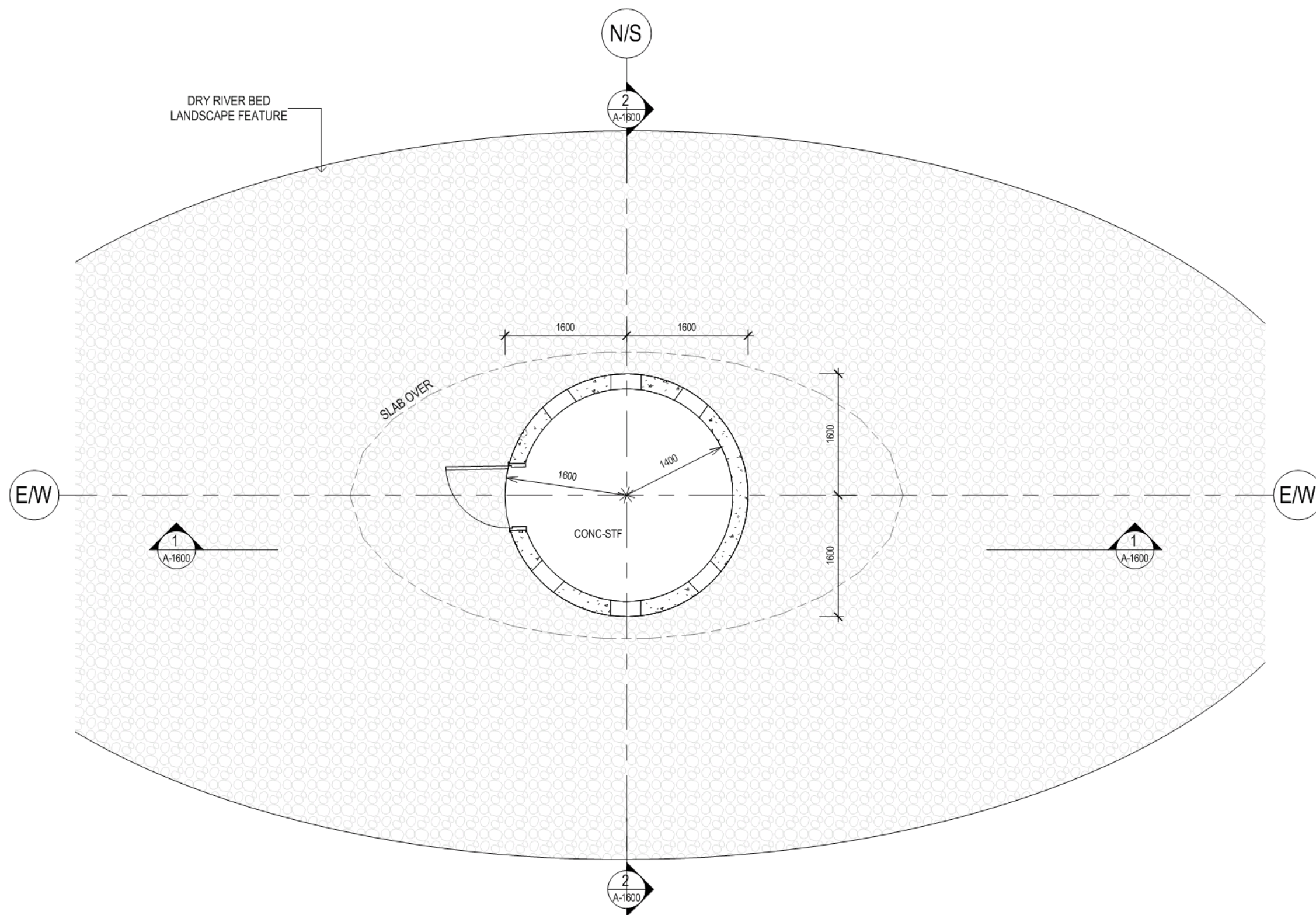
CLIENT
 SUNSHINE COAST COUNCIL

PROJECT
 ISAAC MOORE PARK
 TOILET BLOCK

DRAWING TITLE
 ROOF PLAN

DRAWN: AS	CHECKED: AF
FIRST ISSUE: 10/03/17	SCALE @ A3: 1:50
PROJECT No	STAGE
DRAWING No	REV

reproduced without written permission.
 - Verify all dimensions on site prior to commencement of work.
 - DO NOT scale off these drawings.
 - Report any discrepancies to the architect before carrying out any work.



1 GROUND FLOOR SETOUT PLAN
 SCALE 1 : 50

AMENDMENTS			
REV	DATE	DESCRIPTION	AL

Sunshine Coast COUNCIL

ISSUE

NORTH

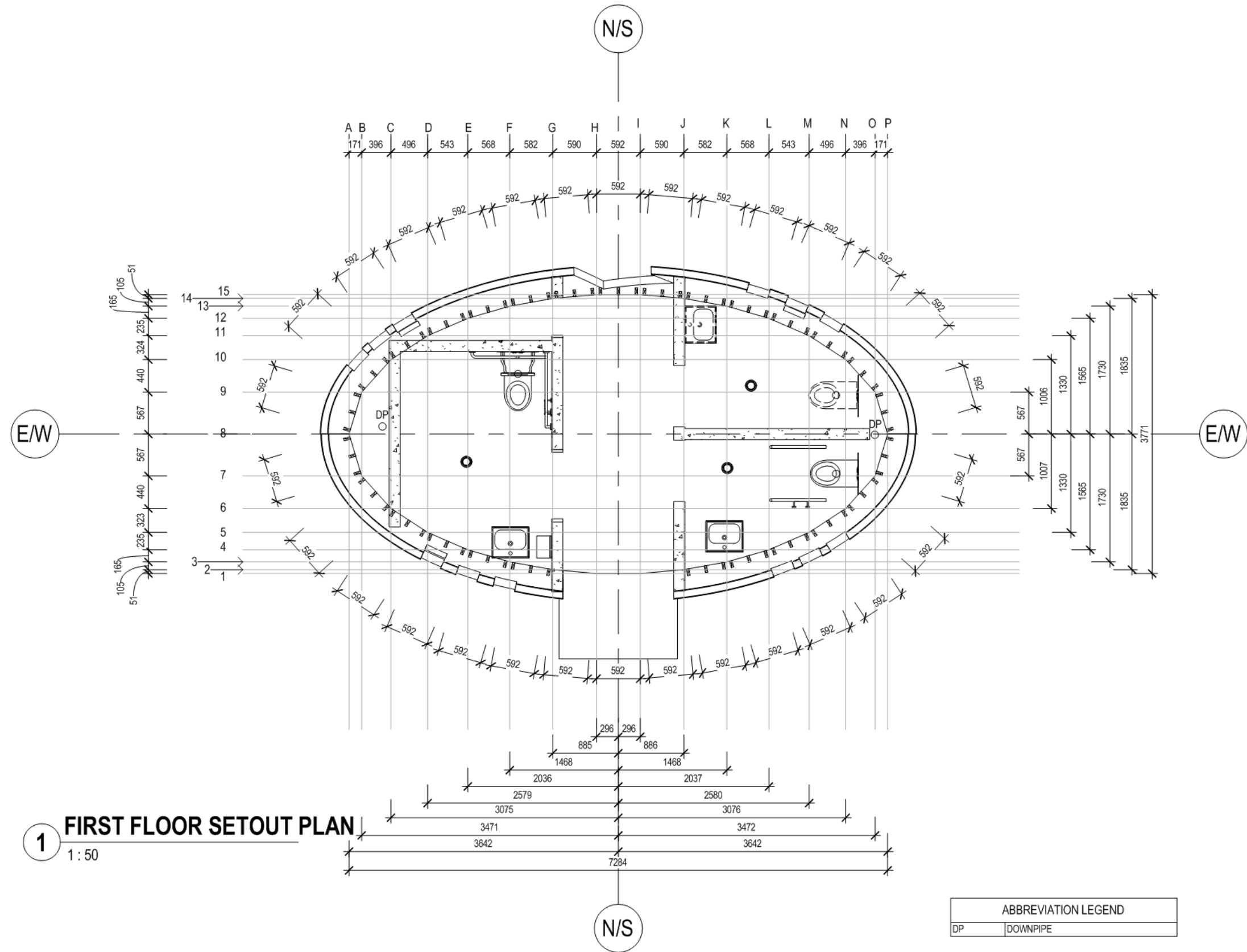
mode
 SUNSHINE COAST
 Suite 2, 9 Capital Pl,
 Birtinya QLD 4575
 T +61 7 5437 8574
 ssc@modedesign.com.au
 ABN: 65 112 807 931

CLIENT
 SUNSHINE COAST COUNCIL

PROJECT
 ISAAC MOORE PARK
 TOILET BLOCK

DRAWING TITLE
 GROUND FLOOR SETOUT PLAN

DRAWN: Author	CHECKED: Check
FIRST ISSUE: 08/08/17	SCALE @ A3: 1:50
PROJECT No 16635SSC	STAGE SD
DRAWING No A.1300	REV



1 FIRST FLOOR SETOUT PLAN
 1:50

- These drawings are prepared in accordance with the Australian Standards and cannot be reproduced without written permission.
- Verify all dimensions on site prior to commencement of work.
- DO NOT scale off these drawings.
- Report any discrepancies to the architect before carrying out any work.

AMENDMENTS			
REV	DATE	DESCRIPTION	AUTH

ISSUE	NORTH
-------	-------

SUNSHINE COAST
 Suite 2, 9 Capital Pl
 Brisbane QLD 4575
 T +61 7 5437 8574
 ssc@modedesign.com.au

ABN: 65 112 807 931

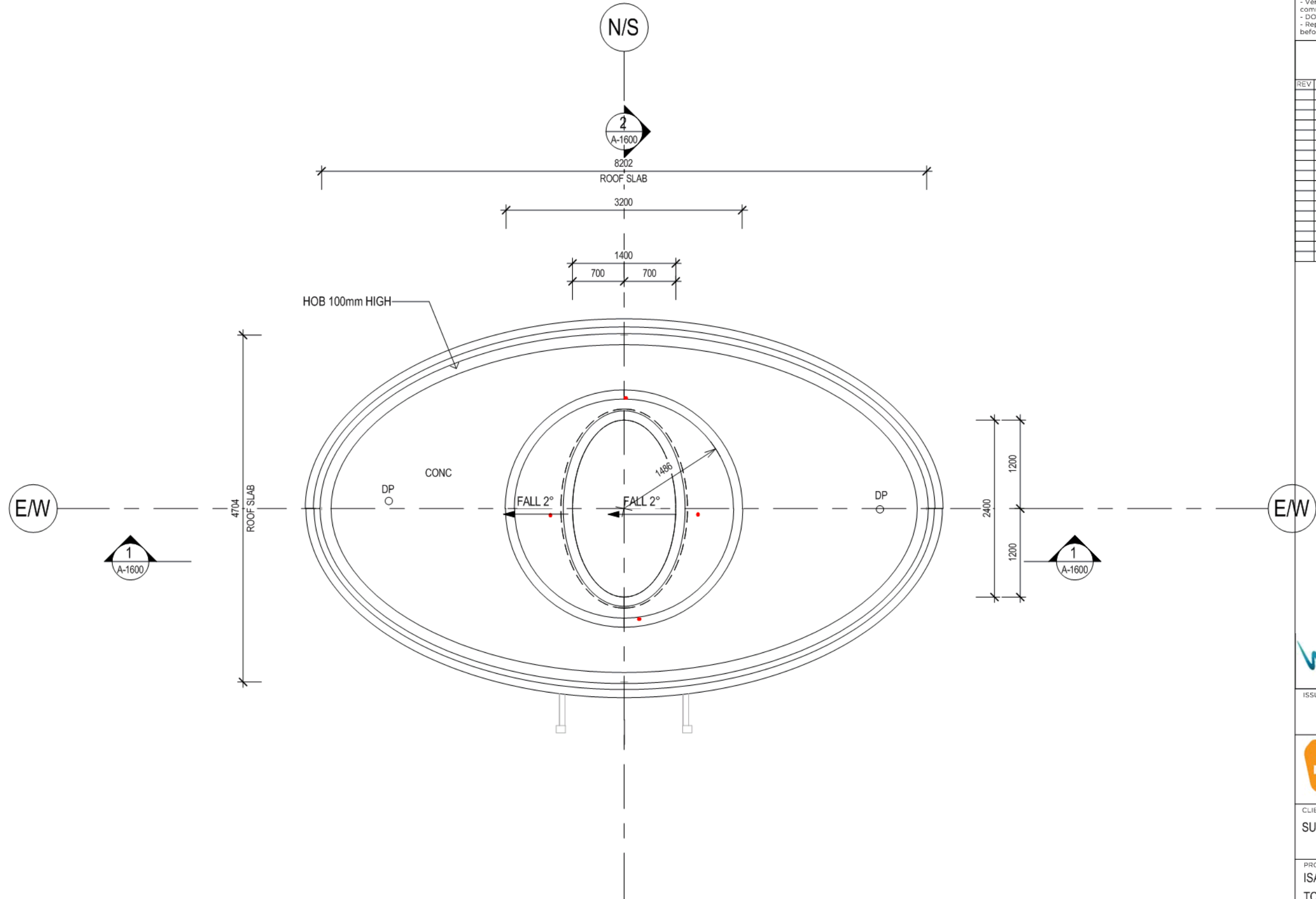
CLIENT
 SUNSHINE COAST COUNCIL

PROJECT
 ISAAC MOORE PARK
 TOILET BLOCK

DRAWING TITLE
 FIRST FLOOR SETOUT PLAN

DRAWN: AS	CHECKED: AF	SCALE @ A3: 1:50	REV
PROJECT No 16635SSC	STAGE SD	DRAWING No A-1301	

MODE DESIGN GROUP PTY LTD AND ITS CONSULTANTS
 reproduced without written permission.
 - Verify all dimensions on site prior to
 commencement of work.
 - DO NOT scale off these drawings.
 - Report any discrepancies to the architect
 before carrying out any work.



1 ROOF SOFFIT SETOUT PLAN
 SCALE 1:50

AMENDMENTS			
REV	DATE	DESCRIPTION	AL



ISSUE: _____ NORTH: _____

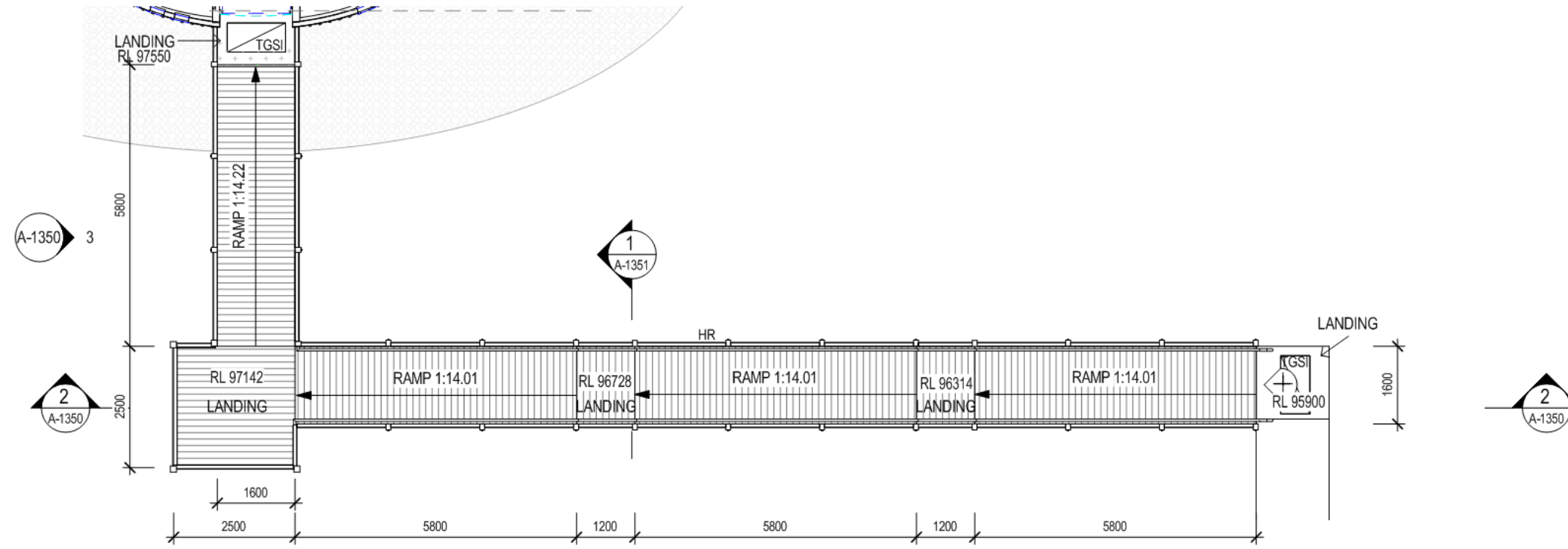
mode SUNSHINE COAST
 Suite 2, 9 Capital Pl,
 Birtinya QLD 4575
 T +61 7 5437 8574
 ssc@modedesign.com.au
 ABN: 65 112 807 931

CLIENT
 SUNSHINE COAST COUNCIL

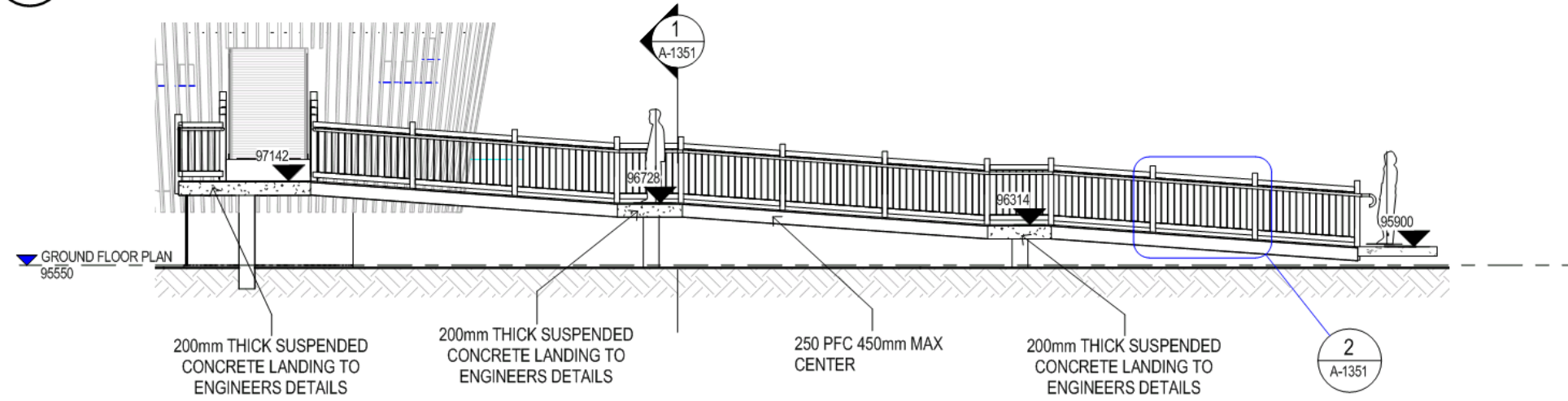
PROJECT
 ISAAC MOORE PARK
 TOILET BLOCK

DRAWING TITLE
 ROOF SETOUT PLAN

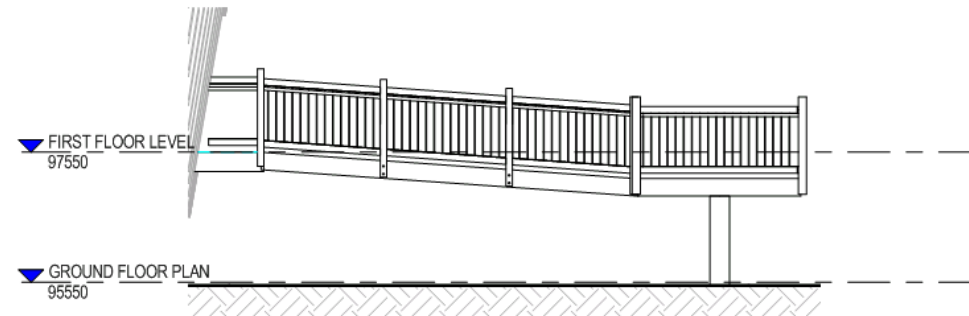
DRAWN:	Author	CHECKED:	Check
FIRST ISSUE:	09/08/17	SCALE @ A3:	1:50
PROJECT No	STAGE	DRAWING No	REV



1 RAMP PLAN
 SCALE 1:100



2 RAMP SECTION 1
 SCALE 1:100



3 RAMP ELEVATION 2
 SCALE 1:100

reproduced without written permission.
 - Verify all dimensions on site prior to commencement of work.
 - DO NOT scale off these drawings.
 - Report any discrepancies to the architect before carrying out any work.

AMENDMENTS			
REV	DATE	DESCRIPTION	AL



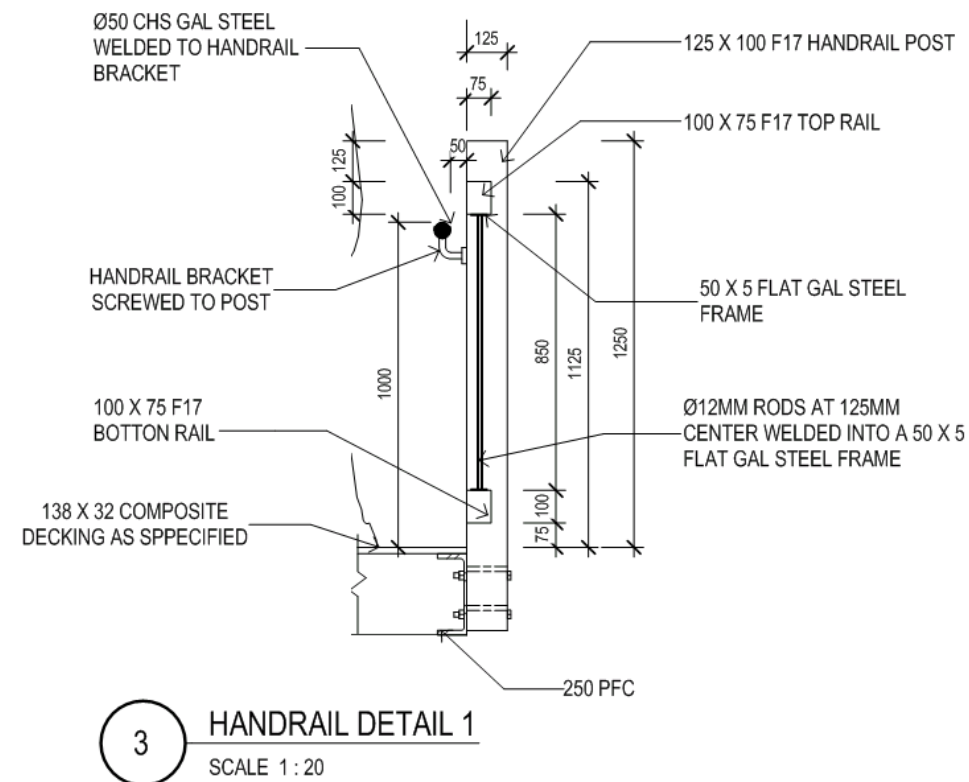
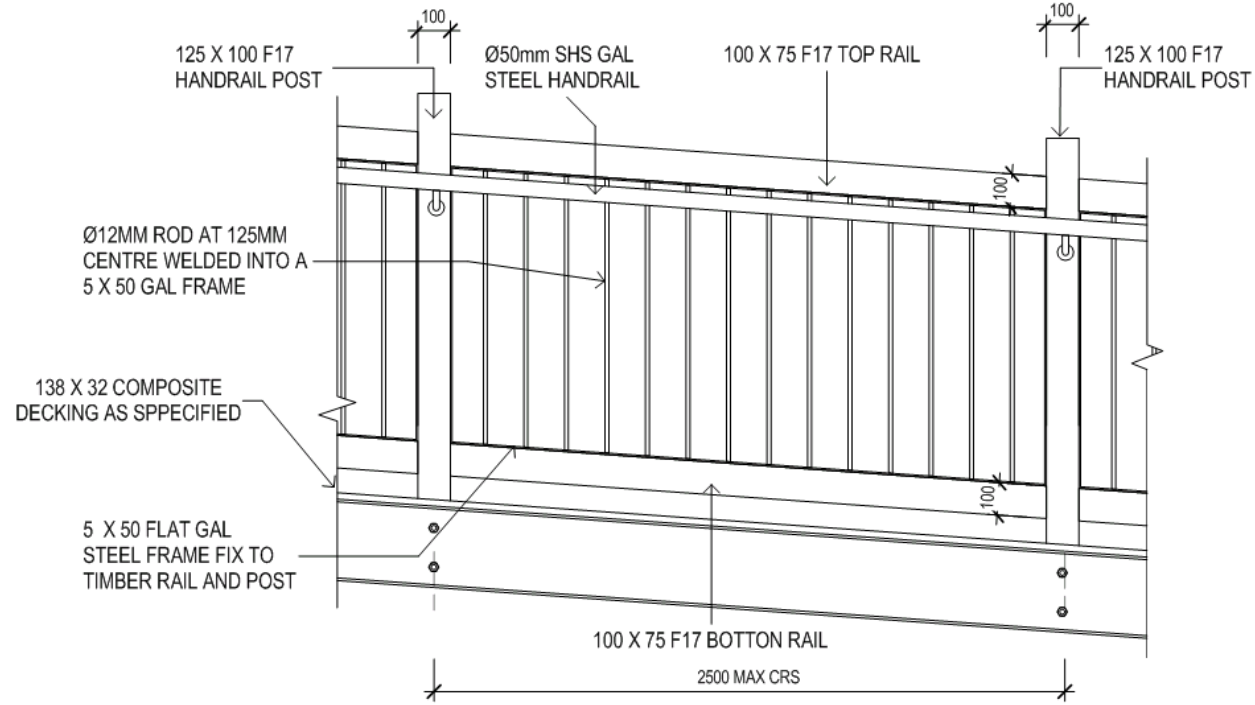
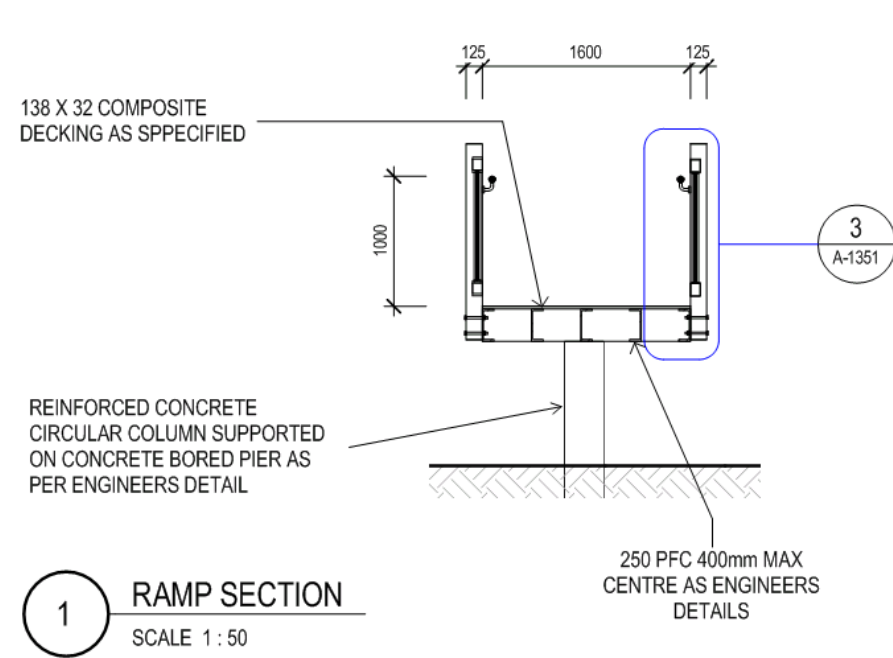
SUNSHINE COAST
 mode
 Suite 2, 9 Capital Pl,
 Birtinya QLD 4575
 T +61 7 5437 8574
 ssc@modedesign.com.au
 ABN: 65 112 807 931

CLIENT
 SUNSHINE COAST COUNCIL

PROJECT
 ISAAC MOORE PARK
 TOILET BLOCK

DRAWING TITLE
 RAMP PLAN AND DETAILS

DRAWN: AR	CHECKED: Checkr		
FIRST ISSUE: 08/08/17	SCALE @ A3: 1:100		
PROJECT No	STAGE	DRAWING No	REV
166355SC	SD	A-1350	



reproduced without written permission.
 - Verify all dimensions on site prior to commencement of work.
 - DO NOT scale off these drawings.
 - Report any discrepancies to the architect before carrying out any work.

AMENDMENTS			
REV	DATE	DESCRIPTION	AL



ISSUE	NORTH
-------	-------

mode SUNSHINE COAST
 Suite 2, 9 Capital Pl,
 Birtinya QLD 4575
 T +61 7 5437 8574
 ssc@modedesign.com.au
 ABN: 65 112 807 931

CLIENT
 SUNSHINE COAST COUNCIL

PROJECT
 ISAAC MOORE PARK
 TOILET BLOCK

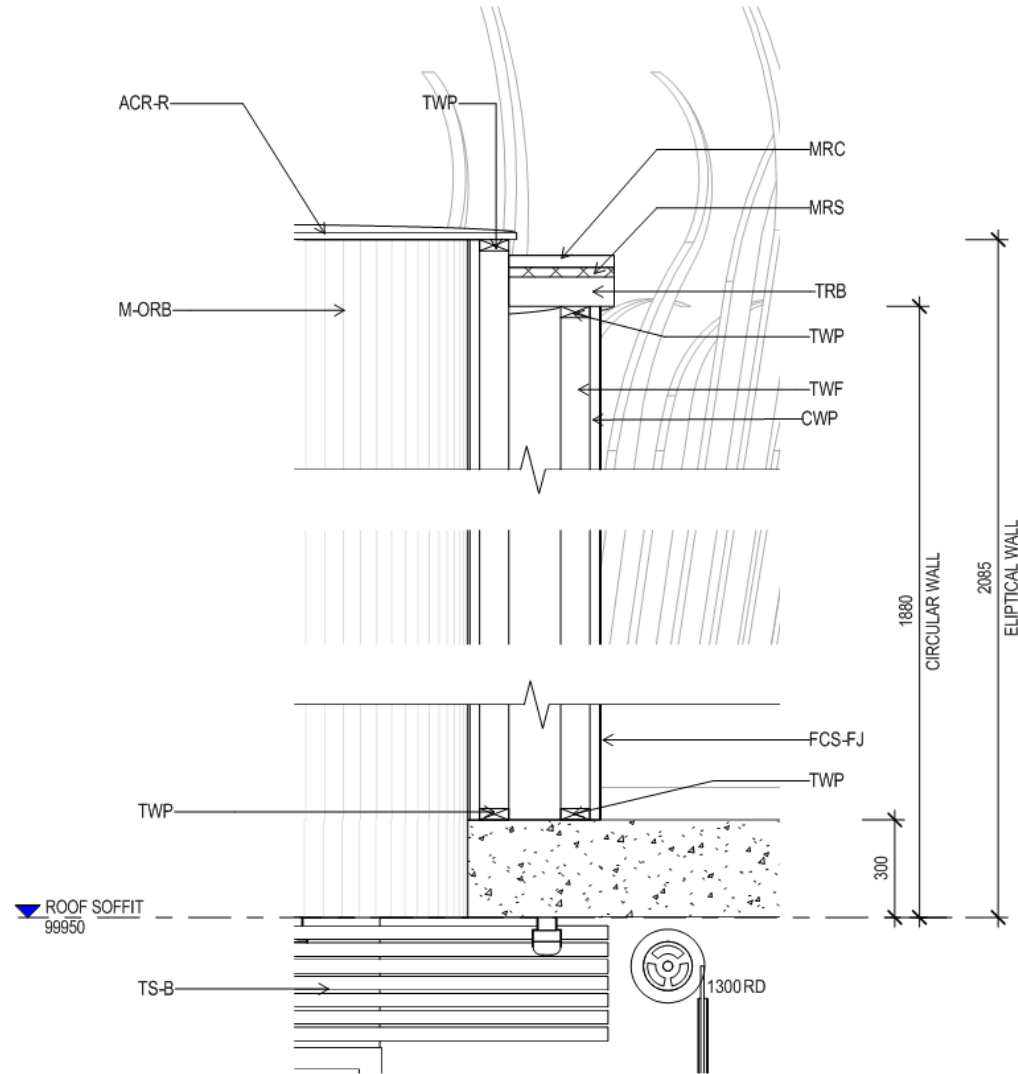
DRAWING TITLE
 RAMP DETAILS

DRAWN: AR	CHECKED: AF
FIRST ISSUE: 09/06/17	SCALE @ A3: As indicat
PROJECT No 16R35SCC	STAGE SD
DRAWING No A-1351	REV

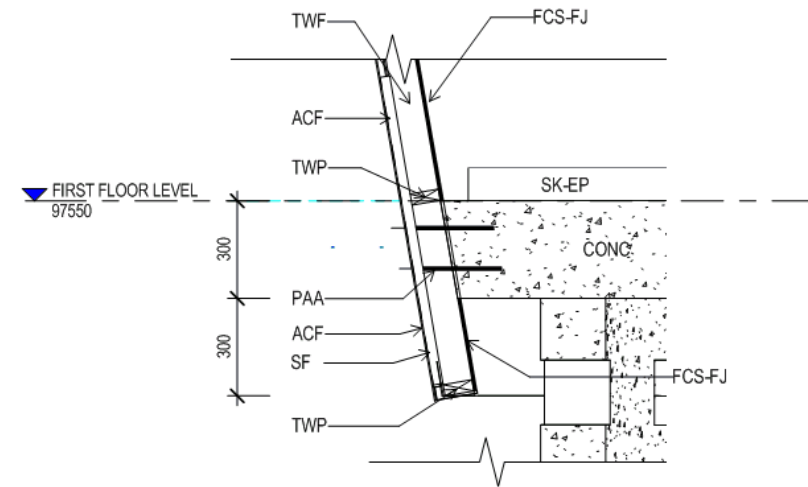
reproduced without written permission.
 - Verify all dimensions on site prior to commencement of work.
 - DO NOT scale off these drawings.
 - Report any discrepancies to the architect before carrying out any work.

ABBREVIATION LEGEND	
ACF	ALUMINIUM COMPOSITE FACADE
ACR-R	20mm TRANSLUCENT ACRYLIC SHEET ROOF
CONC	IN SITU CONCRETE - PAINTED FINISH
CWP	COMPOSITE WALL PANEL AS SPECIFIED
FCS-FJ	FIBRE CEMENT SHEETING - FLUSH JOINTED
M-ORB	MINI CORRUGATE WALL CLADDING
MRC	METAL ROOF CAPPING
MRS	METAL ROOF SHEETING
PAA	POLYESTER ADHESIVE FOR ANCHORING
SF	SUBSTRATE FRAME
SK-EP	SKIRTING - EPOXY
TRB	TIMBER ROOF BATTEN
TS-B	TIMBER SCREEN BATTENS
TWF	TIMBER WALL FRAMING
TWP	TIMBER WALL PLATE

AMENDMENTS			
REV	DATE	DESCRIPTION	AL
C	29.05.2017	DESIGN DEVELOPMENT	AS
D	14.06.2017	PD FINAL	AS



3 SKYLIGHT DETAILS
 SCALE 1:20



2 BOTTON WALL DETAIL
 SCALE 1:20



ISSUE: DESIGN DEVELOPMENT
 NORTH

mode SUNSHINE COAST
 Suite 2, 9 Capital Pl,
 Birtinya QLD 4575
 T +61 7 5437 8574
 ssc@modedesign.com.au
 ABN: 65 112 807 931

CLIENT: SUNSHINE COAST COUNCIL

PROJECT: ISAAC MOORE PARK
 TOILET BLOCK

DRAWING TITLE: DETAIL SECTION

DRAWN: AS	CHECKED: AF
FIRST ISSUE: 10/03/17	SCALE @ A3: 1:20
PROJECT No: 16R35SSC	STAGE: SD
DRAWING No: A.1R01	REV: r