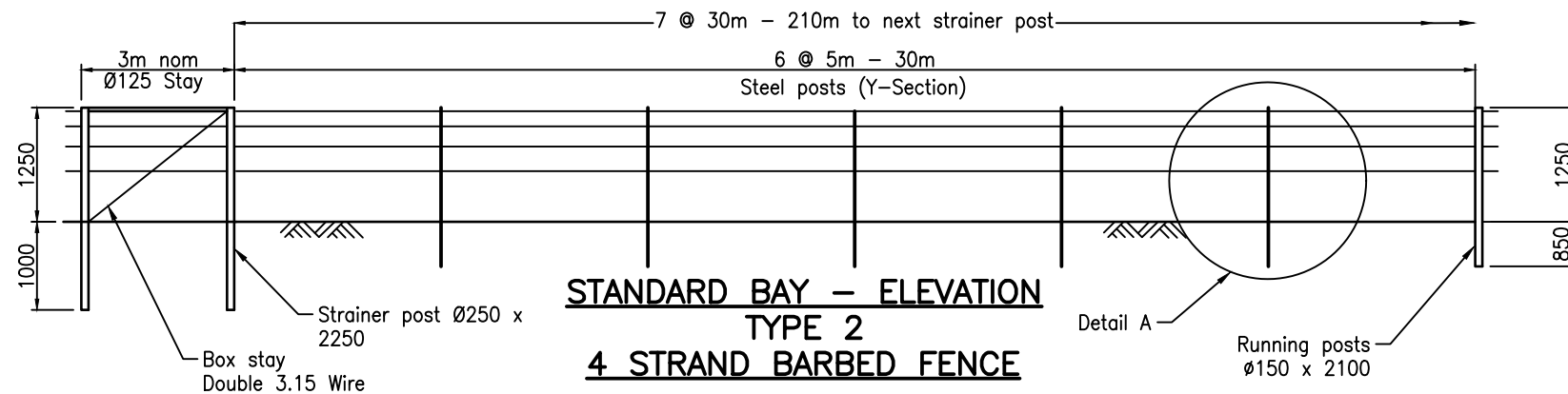


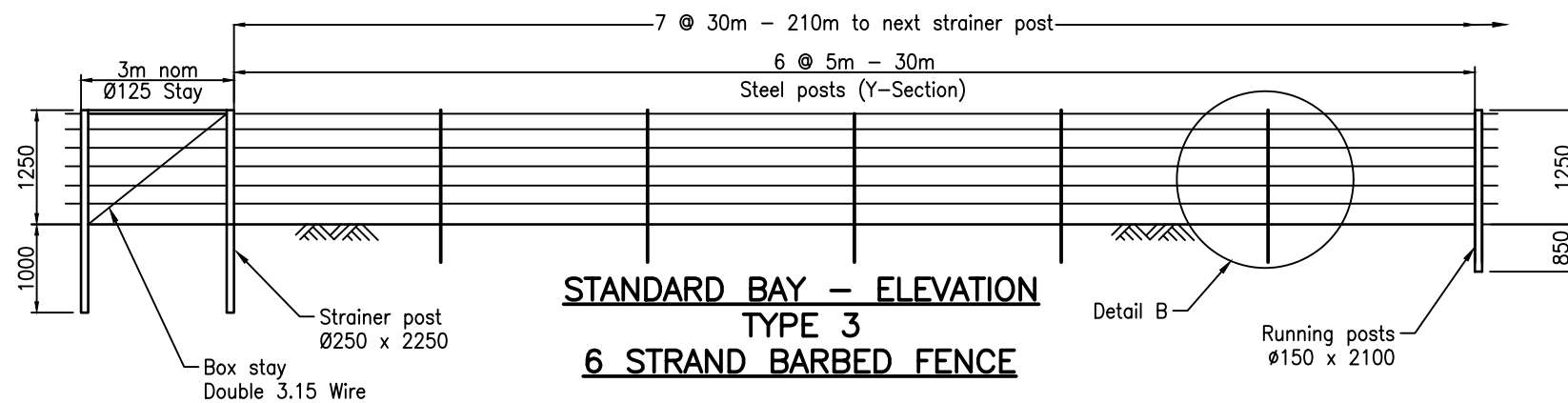
**TYPE 1
4 STRAND BARBED FENCE**

NOTES

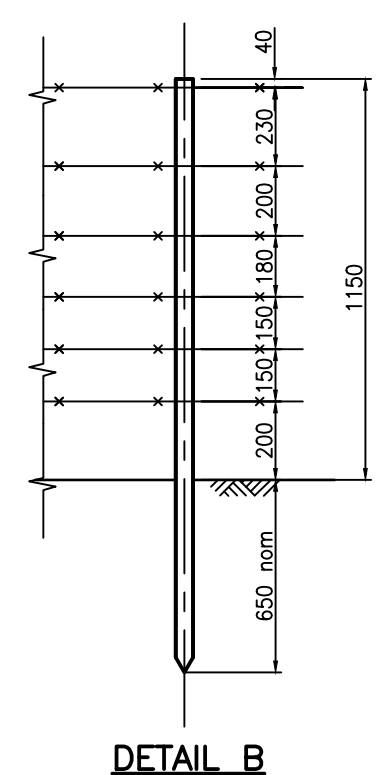
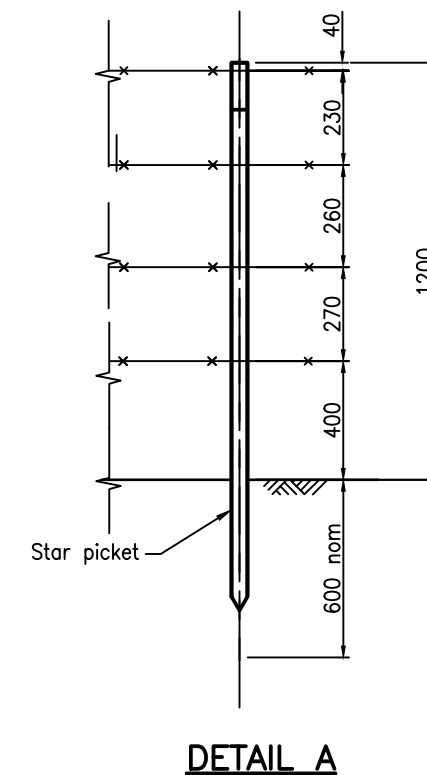
1. Timber posts and struts shall be F14 to AS 1720 Durability Class 1 hardwood unless approved otherwise.
2. All buried timber to be treated to H5 in accordance with AS 1604.
3. Steel fence posts are standard 1.8m star pickets galvanized to AS/NZ 4792, refer project documentation.
4. At alignment changes of less than 90 degrees, the box stay bisects the angle of change.
5. Galvanized fencing wire 2.5mm to AS 2423.
6. All dimensions are in millimetres, unless shown otherwise.



**STANDARD BAY – ELEVATION
TYPE 2
4 STRAND BARBED FENCE**

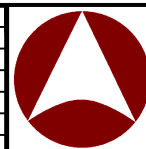


**STANDARD BAY – ELEVATION
TYPE 3
6 STRAND BARBED FENCE**



These drawings have been developed in consultation between the participating Councils.
BEFORE USE, the user shall confirm that the drawing has been adopted by the appropriate Council.

Rv.	DATE	REVISIONS
F	06/16	Review
E	06/14	Review
D	03/14	Amended Drawing Number
C	03/13	Drawing number amended
B	12/11	Notes amended
A	12/95	ORIGINAL ISSUE



**INSTITUTE OF PUBLIC WORKS ENGINEERING AUSTRALASIA
STANDARD DRAWINGS**

**FENCING – RURAL
4 & 6 STRAND BARBED WIRE FENCE**

GS-040

F
E
D
C
B
A
Rv.