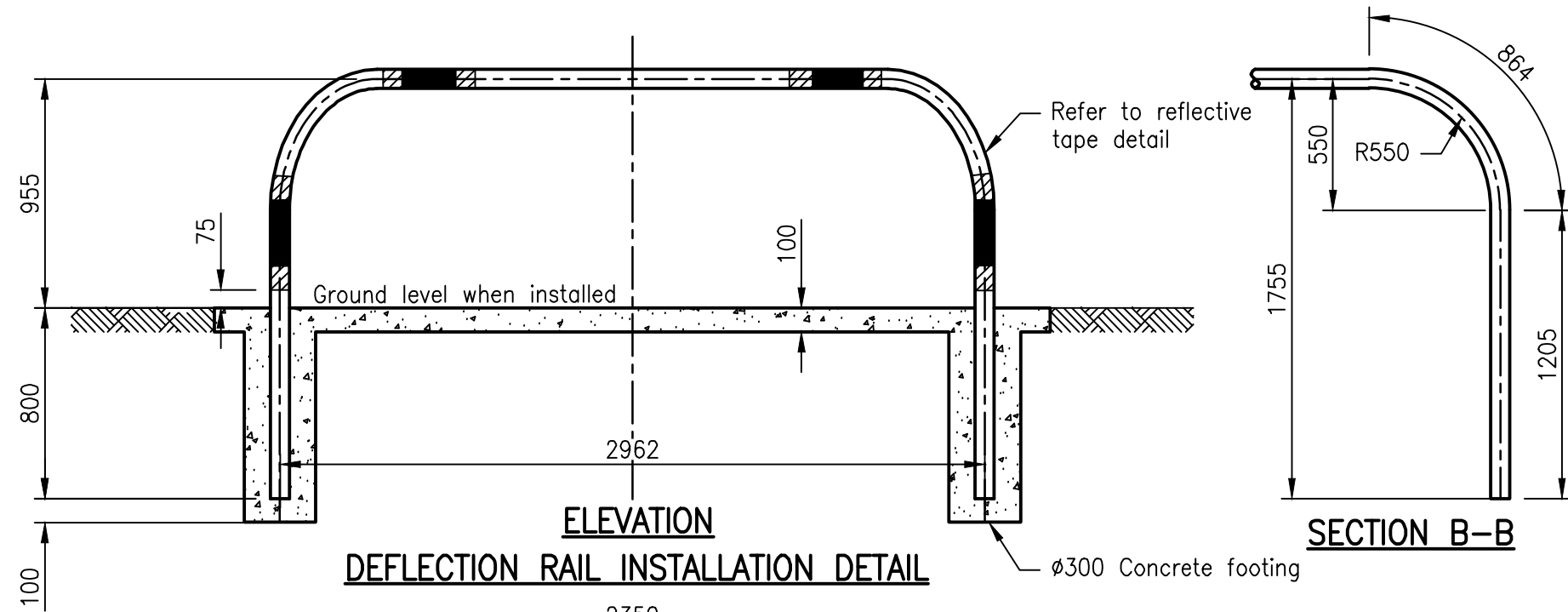
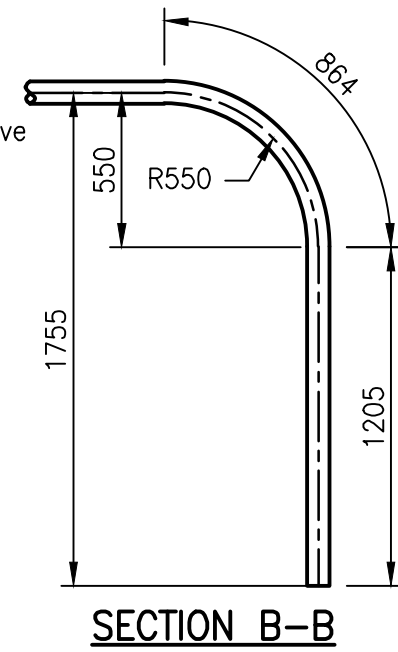


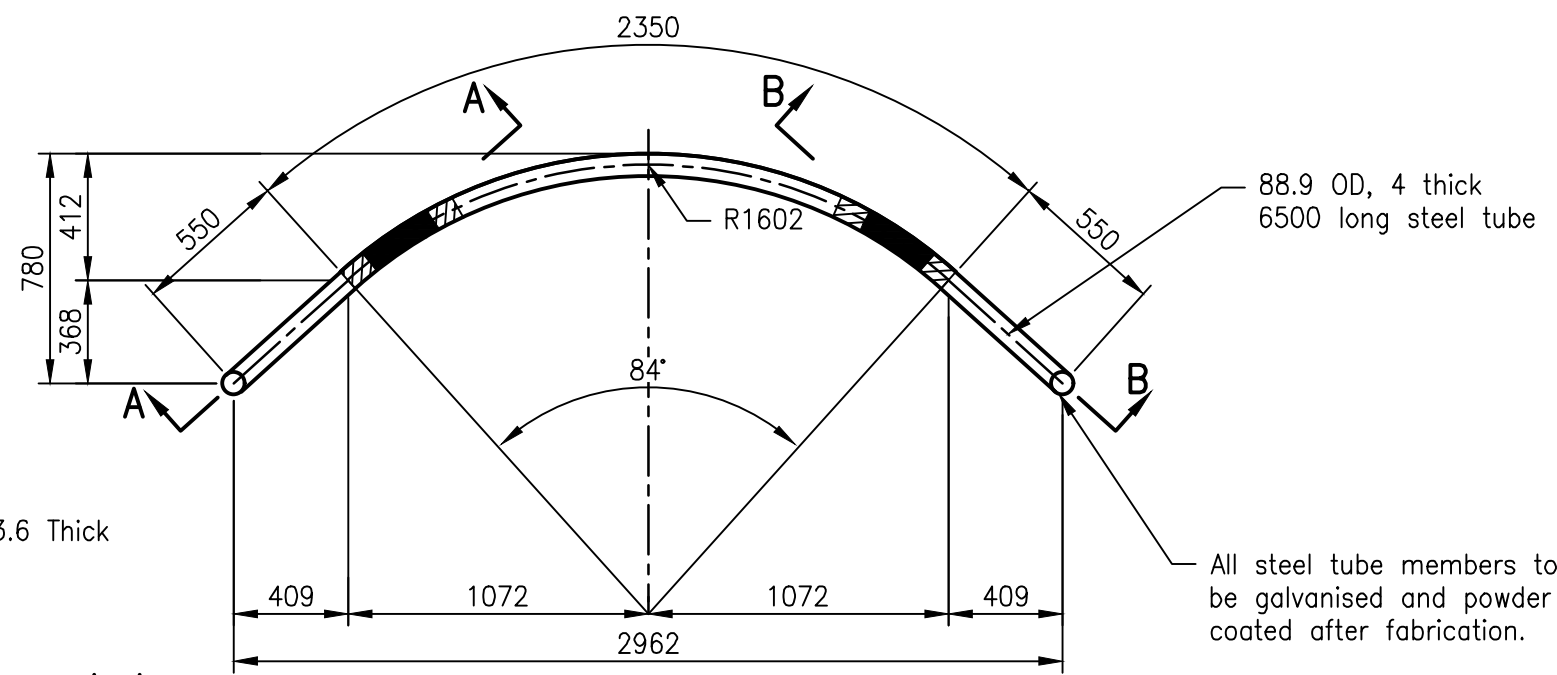
SECTION A-A



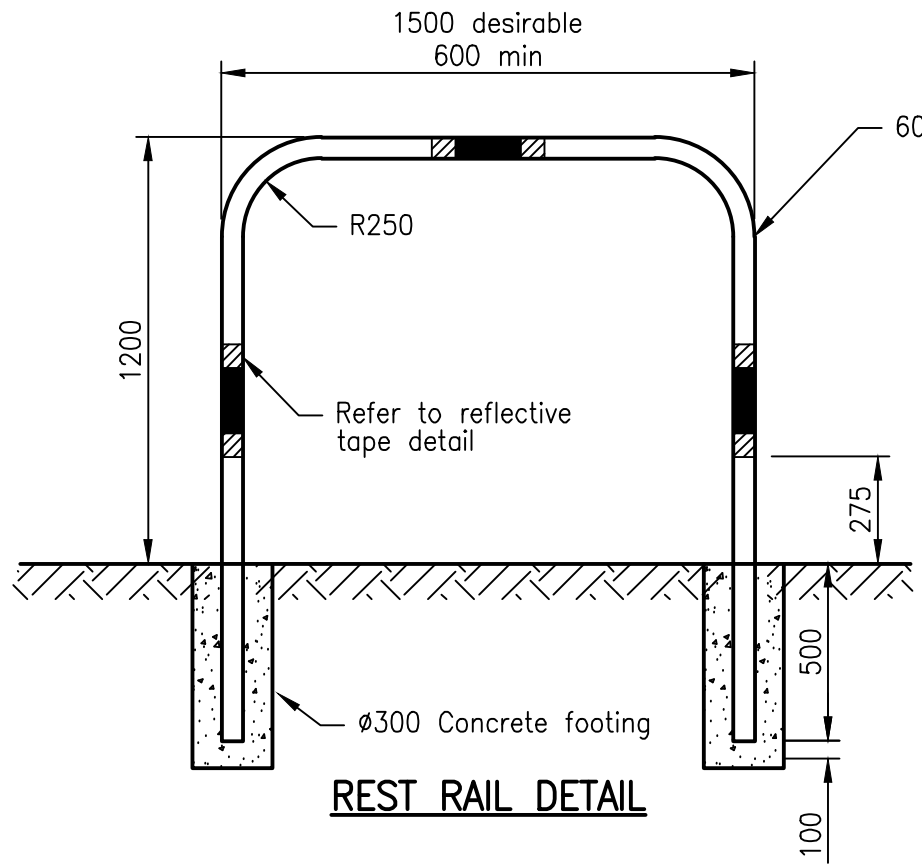
**ELEVATION
DEFLECTION RAIL INSTALLATION DETAIL**



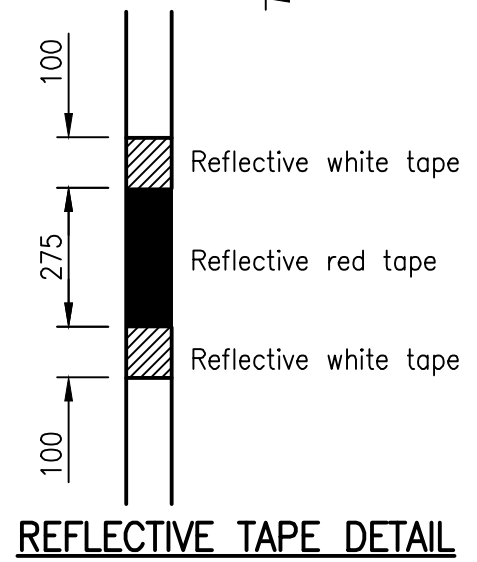
SECTION B-B



**PLAN
DEFLECTION RAIL**



REST RAIL DETAIL



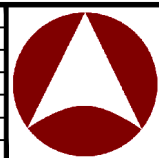
REFLECTIVE TAPE DETAIL

NOTES:

1. Concrete footing to be grade N25 in accordance with AS 3600.
2. Refer to RS-065 for concrete construction details.
3. Galvanised steel tube in accordance with AS 1163.
4. Rollform deflection rail from a single piece 6500 long tube.
5. Reflective tape to be white and red class 1 in accordance with AS 1906.1
6. Galvanised steel to be powder coated in Y11 Canary Yellow to AS 4506.
7. Refer to PS-010 & PS-011 for deflection & rest rail installation details on bikeways.
8. All dimensions are in millimetres unless shown otherwise.

These drawings have been developed in consultation between the participating Councils.
BEFORE USE, the user shall confirm that the drawing has been adopted by the appropriate Council.

G	06/16	Review
F	06/14	Review
E	03/14	Amended Drawing Number
D	12/11	Drawing number changed from SEQ P-016 to PS-016
C	06/11	Review
B	06/10	Review
Rv.	DATE	REVISIONS
	08/09	ORIGINAL ISSUE



**INSTITUTE OF PUBLIC WORKS ENGINEERING AUSTRALASIA
STANDARD DRAWINGS**

**BIKEWAY FURNITURE DETAILS
DEFLECTION AND REST RAIL DETAIL**

PS-016

G
F
E
D
C
B
Rv.