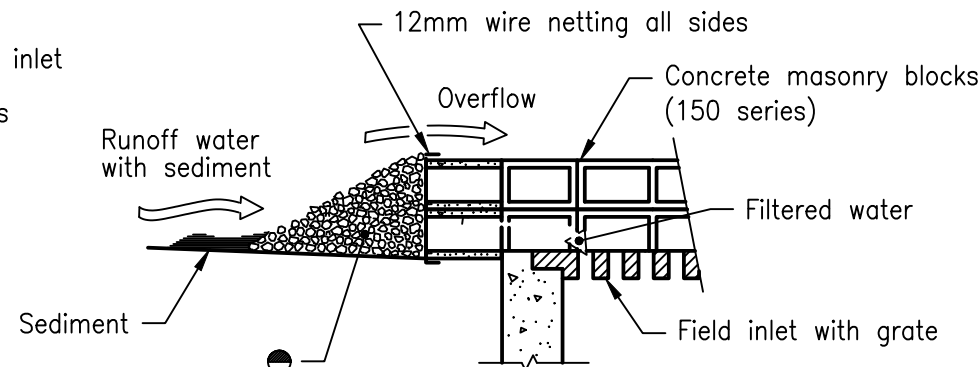
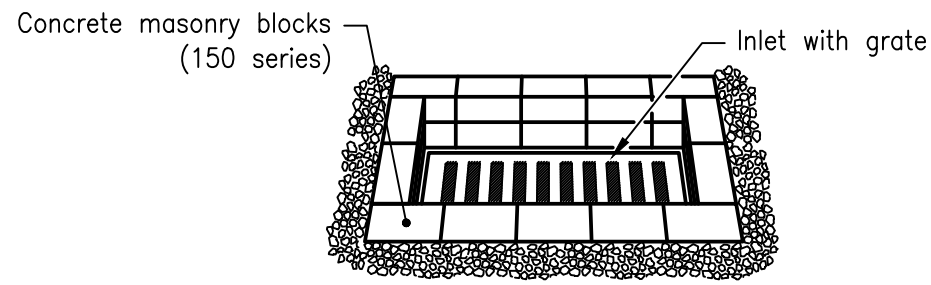
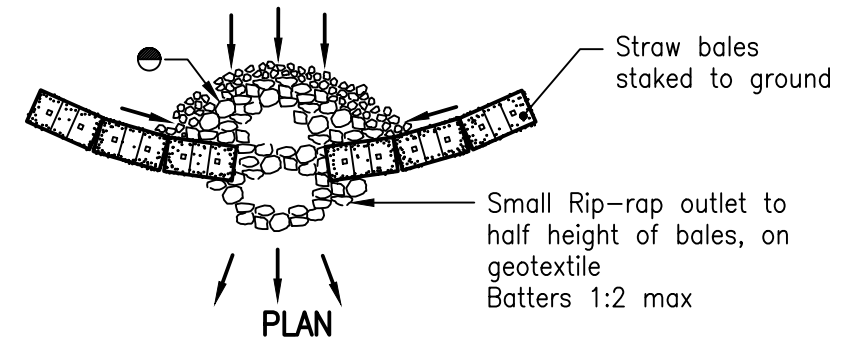


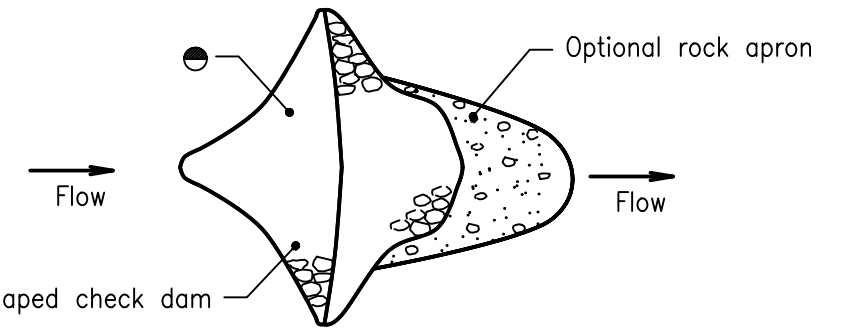
**ON GRADE KERB INLET SEDIMENT TRAP**



**FIELD INLET SEDIMENT TRAP**

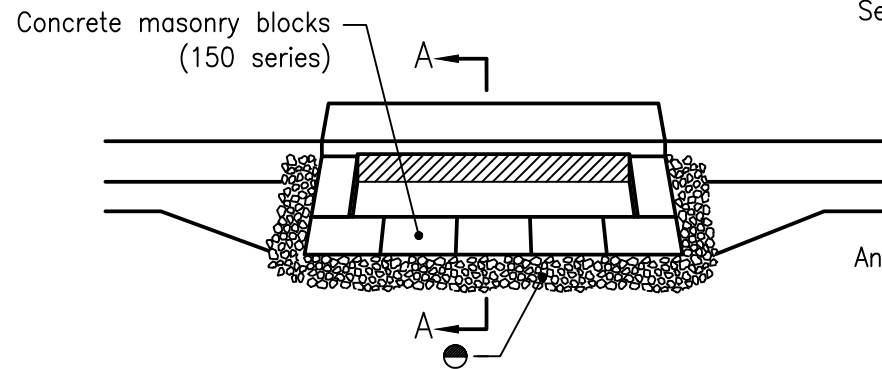


**STRAW BALE AND STONE TRAP  
SEDIMENT CONTROL - CONCENTRATED FLOW**

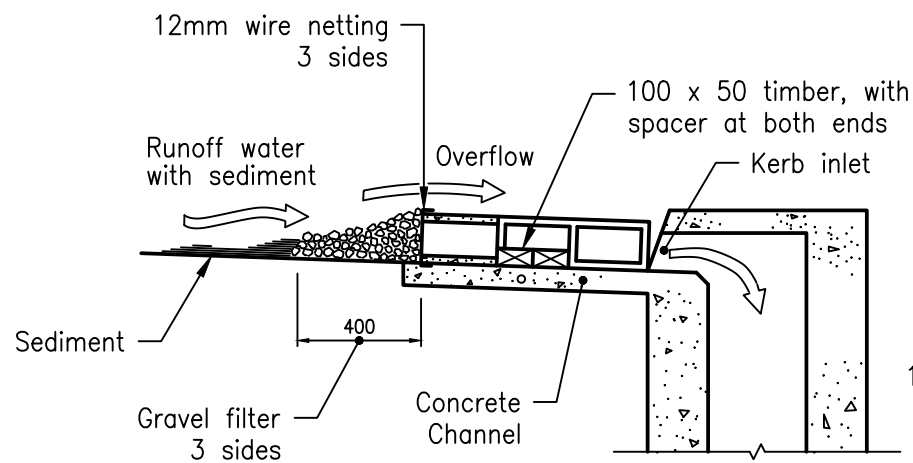


'U' shaped check dam

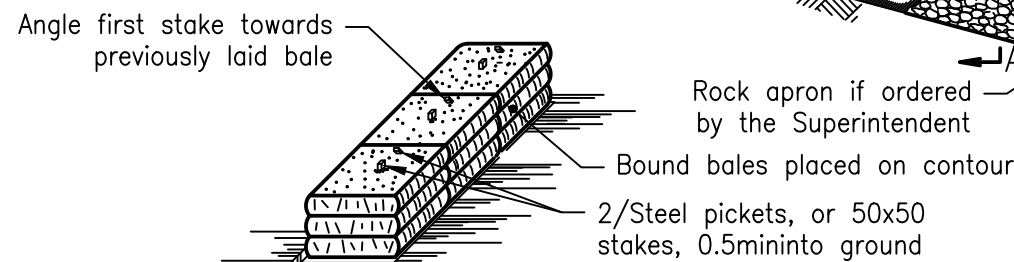
**PLAN**



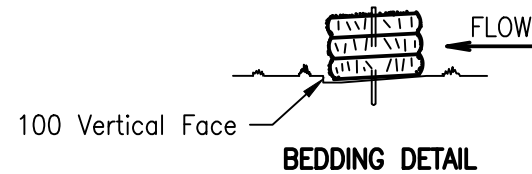
**SECTION A-A  
SAG INLET SEDIMENT TRAP**



A stabilised bypass 'overland flow path' should exist adjacent to inlet in genuine sags.

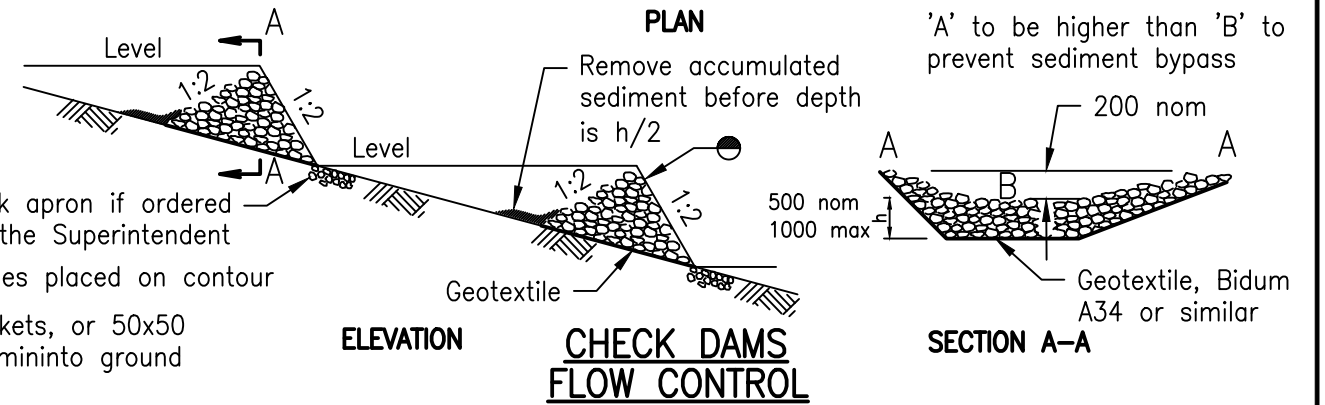


**ANCHORING DETAIL**



**BEDDING DETAIL**

**STRAW BALE BANK  
SEDIMENT CONTROL**



**ELEVATION**

**CHECK DAMS  
FLOW CONTROL**

**SECTION A-A**

**NOTES**

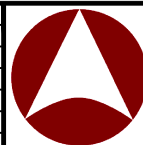
- All erosion and sediment controls to be in accordance with "Best Practice Erosion and Sediment Control", International Erosion and Sediment Control Association (IECA), Australasia Chapter, 2008 and to the satisfaction of the superintendent.
- Field Inlet
  - A stabilised bypass overland flow path should exist adjacent to the field inlet.
  - Water level control perimeter banks may be required.
  - Blocks to be restrained by a horizontal timber rail at block joint height fixed to timber stakes at corners.
- Check Dams
  - Catchment area limited to 4 ha.
  - Use in minor open drains only, (velocity control), sediment collection is a secondary purpose.
- Straw Bale Banks
  - Bales shall be placed at the toe of a slope or on the contour, in a row with ends tightly abutting the adjacent bales
  - Each bale shall be embedded in the soil a minimum of 100mm on the downstream side and placed so the bindings are horizontal.
  - Bales shall be securely anchored in place with either two stakes or steel pickets driven through the bale. The first stake in each bale shall be driven toward the previously laid bale at an angle to force the bales together.
  - Inspections shall be frequent and repair or replacement shall be made promptly as needed. Replace at least 3 monthly.
- Safety issues must be considered at all times, incorporate traffic control devices to the satisfaction of the Superintendent.
- All dimensions are in millimetres unless shown otherwise.

**LEGEND**

- Gravel filter, refer Grading B Table 9 of QT Specification MRS 11.05 excluded material finer than AS sieve 2.36

These drawings have been developed in consultation between the participating Councils.  
BEFORE USE, the user shall confirm that the drawing has been adopted by the appropriate Council.

Rv.	DATE	REVISIONS
E	06/16	Review
D	06/14	Review
C	03/14	Amended Drawing Number
B	11/12	Note 1 Added
A	10/12	ORIGINAL ISSUE



**INSTITUTE OF PUBLIC WORKS ENGINEERING AUSTRALASIA  
STANDARD DRAWINGS**

**SEDIMENT CONTROL DEVICES  
KERB AND FIELD INLET -  
CHECK DAMS & STRAW BALES**

**DS-041**

E  
D  
C  
B  
A  
Rv.