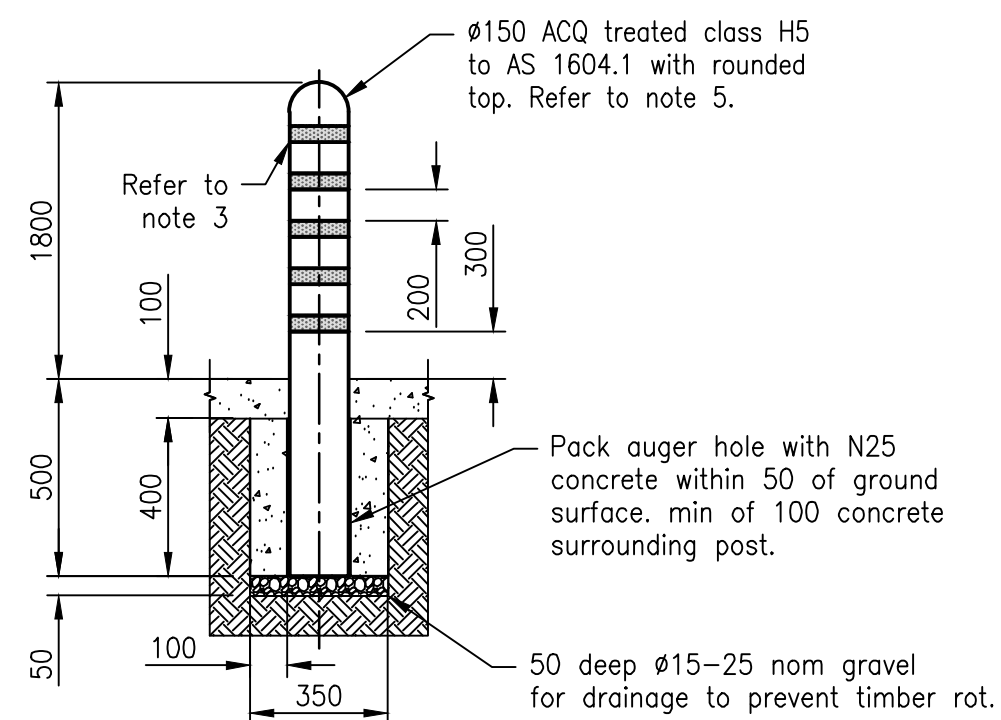
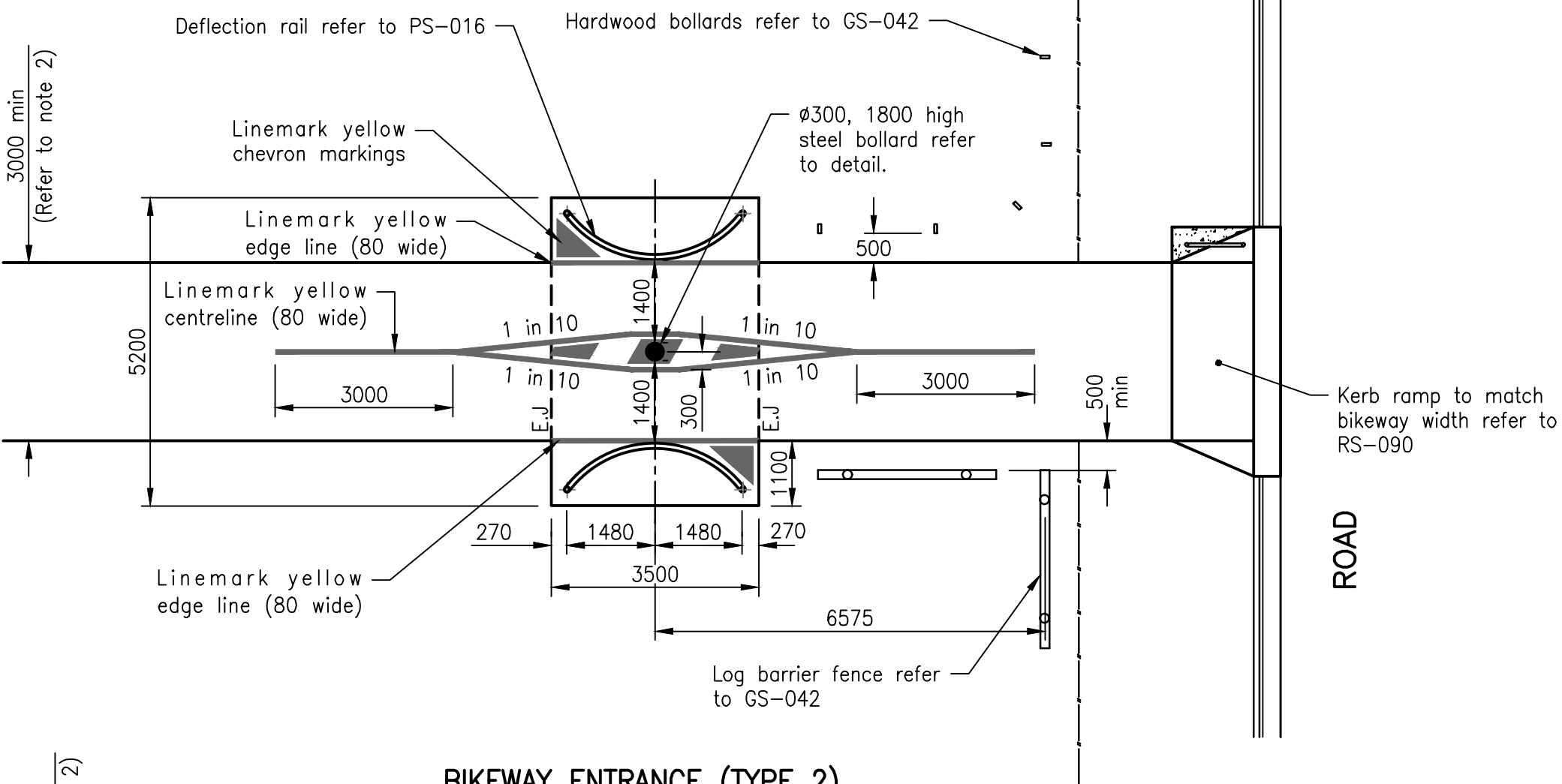
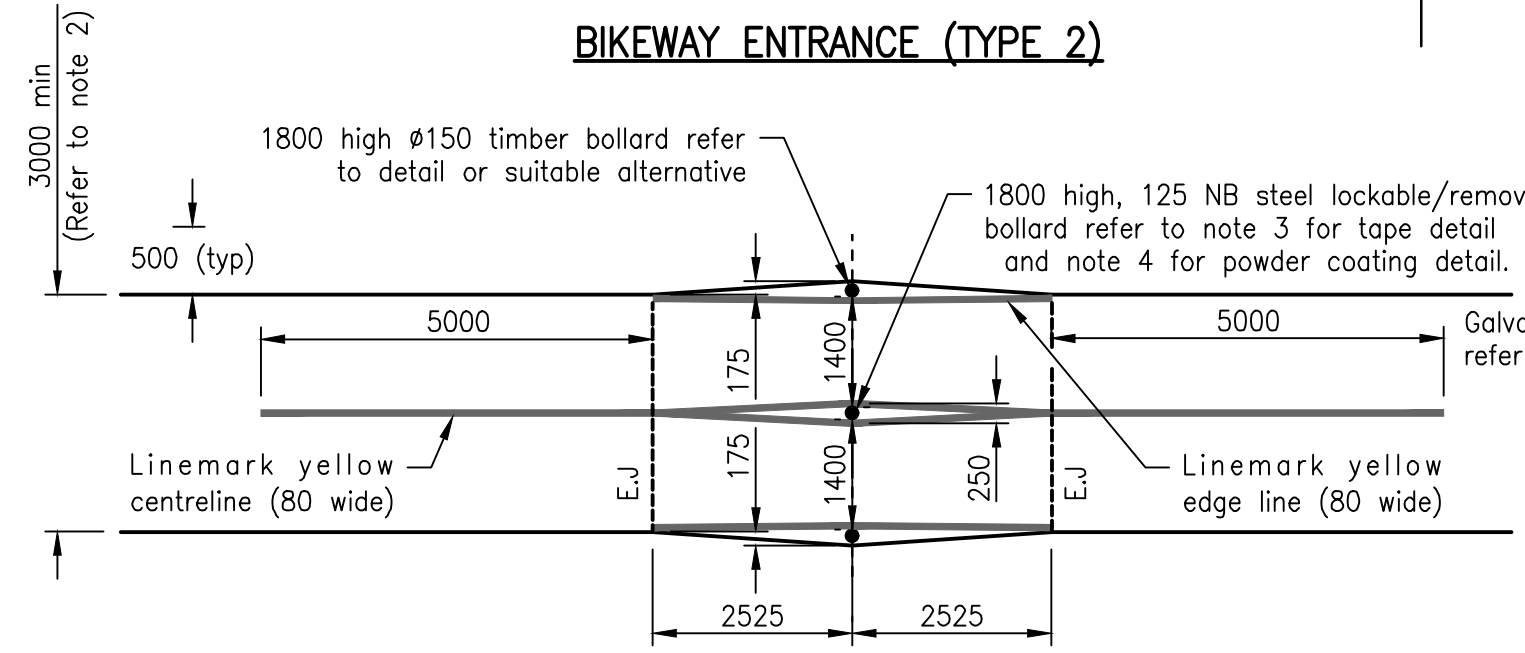


ALTERNATIVE TREATMENT

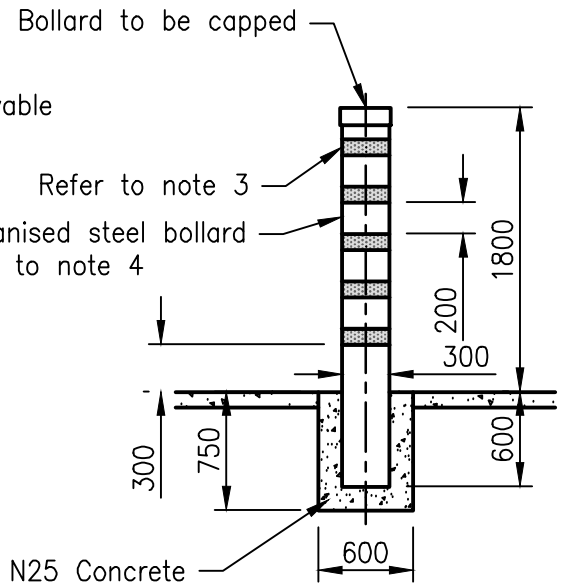


TIMBER BOLLARD DETAIL

BIKEWAY ENTRANCE (TYPE 2)



BIKEWAY ENTRANCE (TYPE 2 - ALTERNATIVE)



STEEL BOLLARD DETAIL

NOTES:

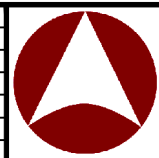
1. Footings to be N25 concrete in accordance with AS 1379 and AS 3600.
2. Bikeway to have minimum width of 3000. Width may be increased.
3. Reflective tape to be 100mm wide red class 1A retro-reflective sheeting.
4. Galvanised steel bollard to be powder coated Y11 canary yellow in accordance with AS 4506.
5. Paint timber bollard with two coats of lacquer acrylic Y11 canary yellow in accordance with AS 2700.
6. Refer to RS-065 for concrete construction details.
7. Prior to installation of timber bollards all edges, joints, cuts to receive coating with an approved timber preservative.
8. Pavement markings to be installed in waterborne paint or other suitable material. Material to have anti-slip/skid material applied to surface. Thermoplastic materials are not to be used.
9. Refer to MUTCD and Austroads Guide to Road Design Part 6A for Bikeway design and signage.
10. All dimensions are in millimetres unless shown otherwise.

LEGEND

Expansion joint (E.J.)

These drawings have been developed in consultation between the participating Councils.
BEFORE USE, the user shall confirm that the drawing has been adopted by the appropriate Council.

| | | |
|-----|-------|---|
| G | 06/16 | Review |
| F | 06/14 | Review |
| E | 03/14 | Amended Drawing Number |
| D | 12/11 | Drawing number changed from SEQ P-011 to PS-011 |
| C | 06/11 | Review |
| B | 06/10 | Review |
| Rv. | DATE | REVISIONS |
| | | 01/10 ORIGINAL ISSUE |



**INSTITUTE OF PUBLIC WORKS ENGINEERING AUSTRALASIA
STANDARD DRAWINGS**

**BIKEWAY ENTRANCE CONTROL
TYPE 2 - HIGH VOLUME**

PS-011

| |
|-----|
| G |
| F |
| E |
| D |
| C |
| B |
| Rv. |