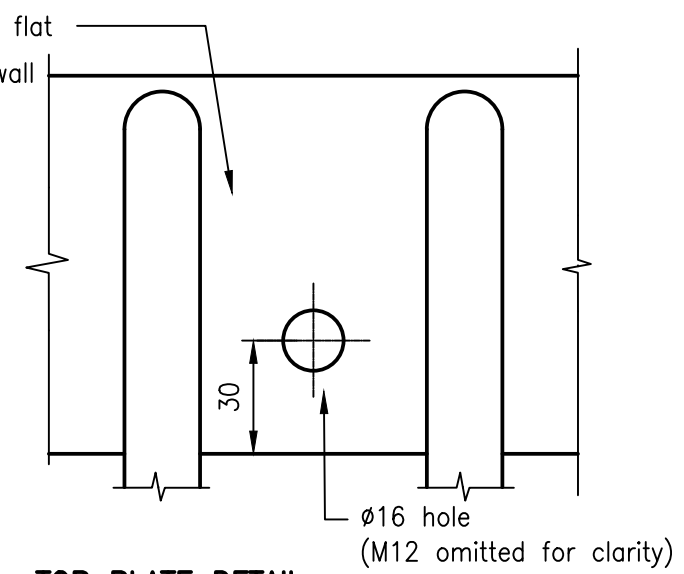
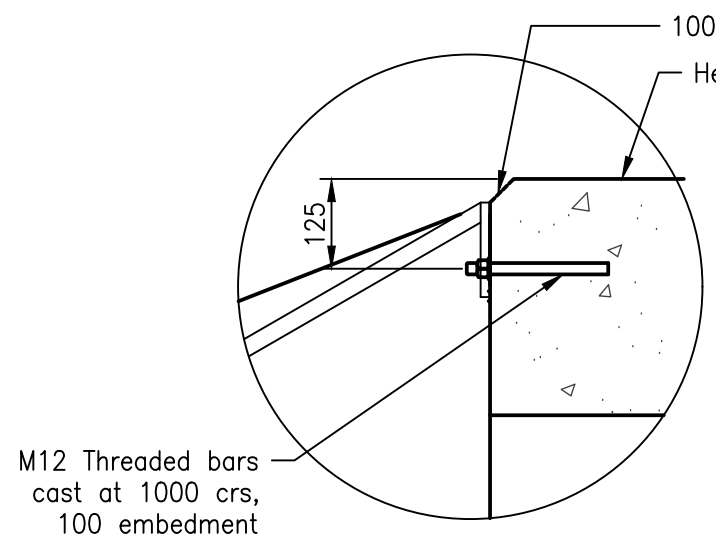


SECTION A-A
Reinforcement omitted for clarity

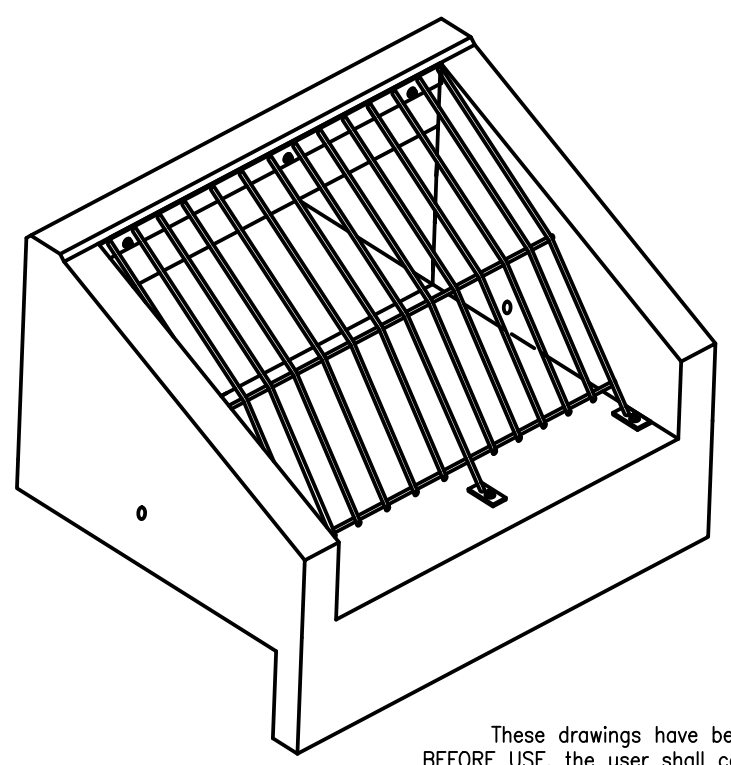


DETAIL B

TOP PLATE DETAIL

NOTES:

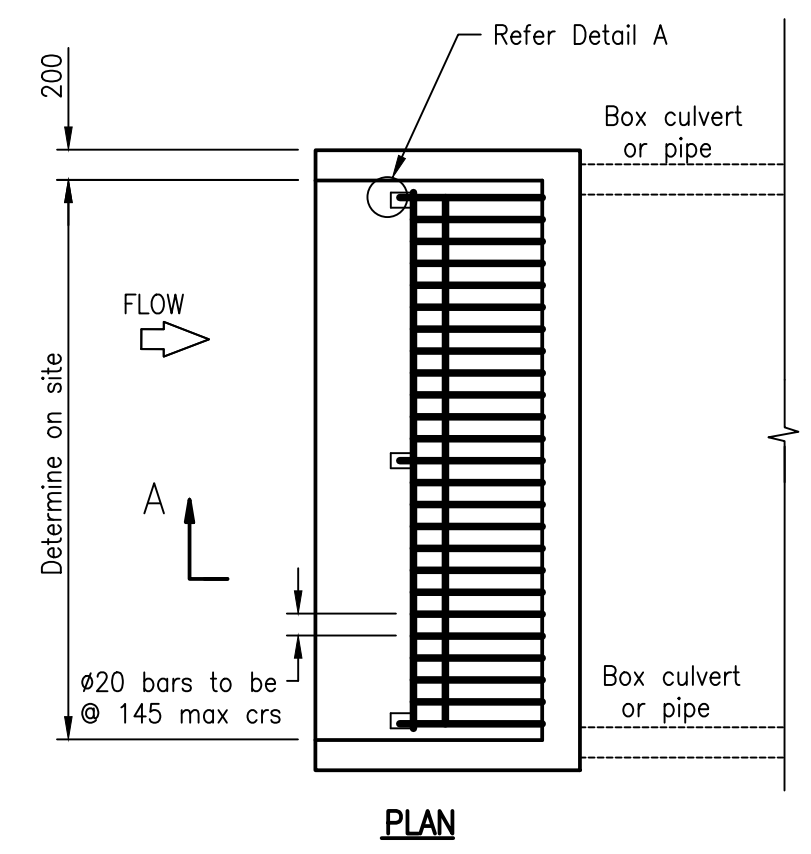
1. For Wingwall and Headwall details and reinforcement, refer DTMR Std Dwg SD1303
2. For Apron details and reinforcement, refer DTMR Std Dwg SD1318 (Type 3 Apron)
3. Concrete to be Class N32/20 AS1379-3600.
4. All cover to reinforcement to be 50mm minimum.
5. Cover in aggressive environments refer DTMR Std Dwg SD1303.
6. All sections to be grade 300 and all bar to be grade 400.
7. All welds to conform to AS1554 and be 6mm continuous fillet welds unless otherwise noted.
8. All steelwork to be hot dip galvanised after fabrication to AS4680.
9. All nuts, bolts and washers to be stainless steel grade 316. with isolation washers.
10. Refer to DTMR Standards for safe distances to carriageways.
11. All dimensions are in millimetres unless shown otherwise.



These drawings have been developed in consultation between the participating Councils.
BEFORE USE, the user shall confirm that the drawing has been adopted by the appropriate Council.

TABLE 1

| CULVERT HEIGHT | A | B | C | SCREEN HEIGHT |
|----------------|------|------|------|---------------|
| 375 | 500 | 613 | 884 | 660 |
| 450 | 575 | 671 | 988 | 742 |
| 600 | 675 | 841 | 1206 | 898 |
| 750 | 800 | 977 | 1411 | 1054 |
| 900 | 900 | 1181 | 1659 | 1227 |
| 1200 | 1150 | 1478 | 2093 | 1552 |



| Rv. | DATE | REVISIONS |
|-----|-------|------------------------|
| D | 06/16 | Review |
| C | 06/14 | Review |
| B | 03/14 | Amended Drawing Number |
| A | 10/12 | ORIGINAL ISSUE |



**INSTITUTE OF PUBLIC WORKS ENGINEERING AUSTRALASIA
STANDARD DRAWINGS**

**DRAINAGE DETAILS
CULVERT INLET SCREEN**

DS-082

| |
|-----|
| D |
| C |
| B |
| A |
| Rv. |