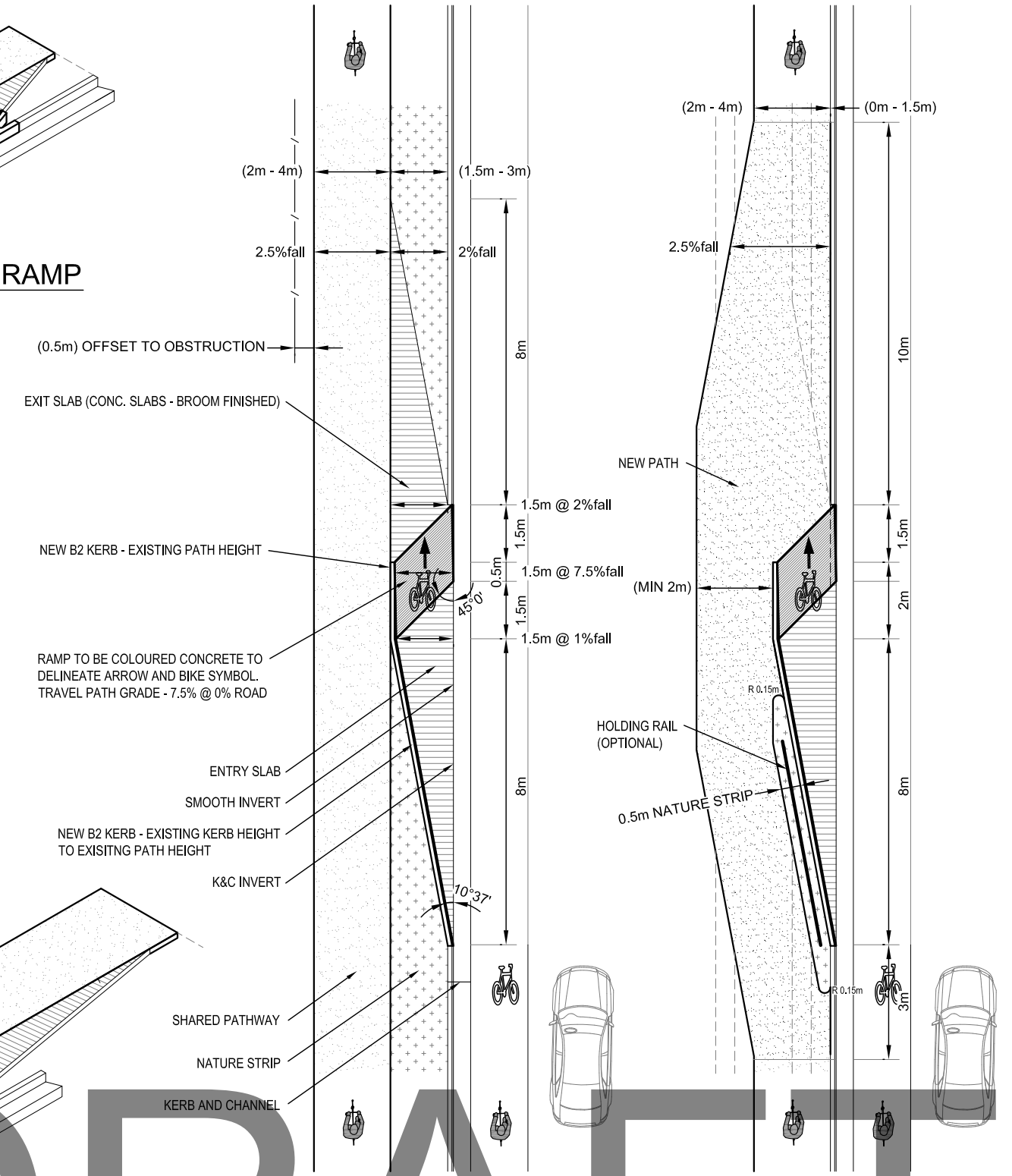
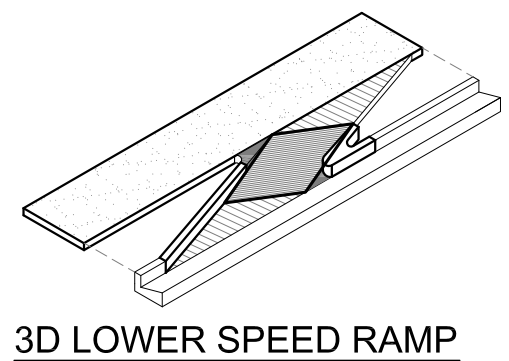
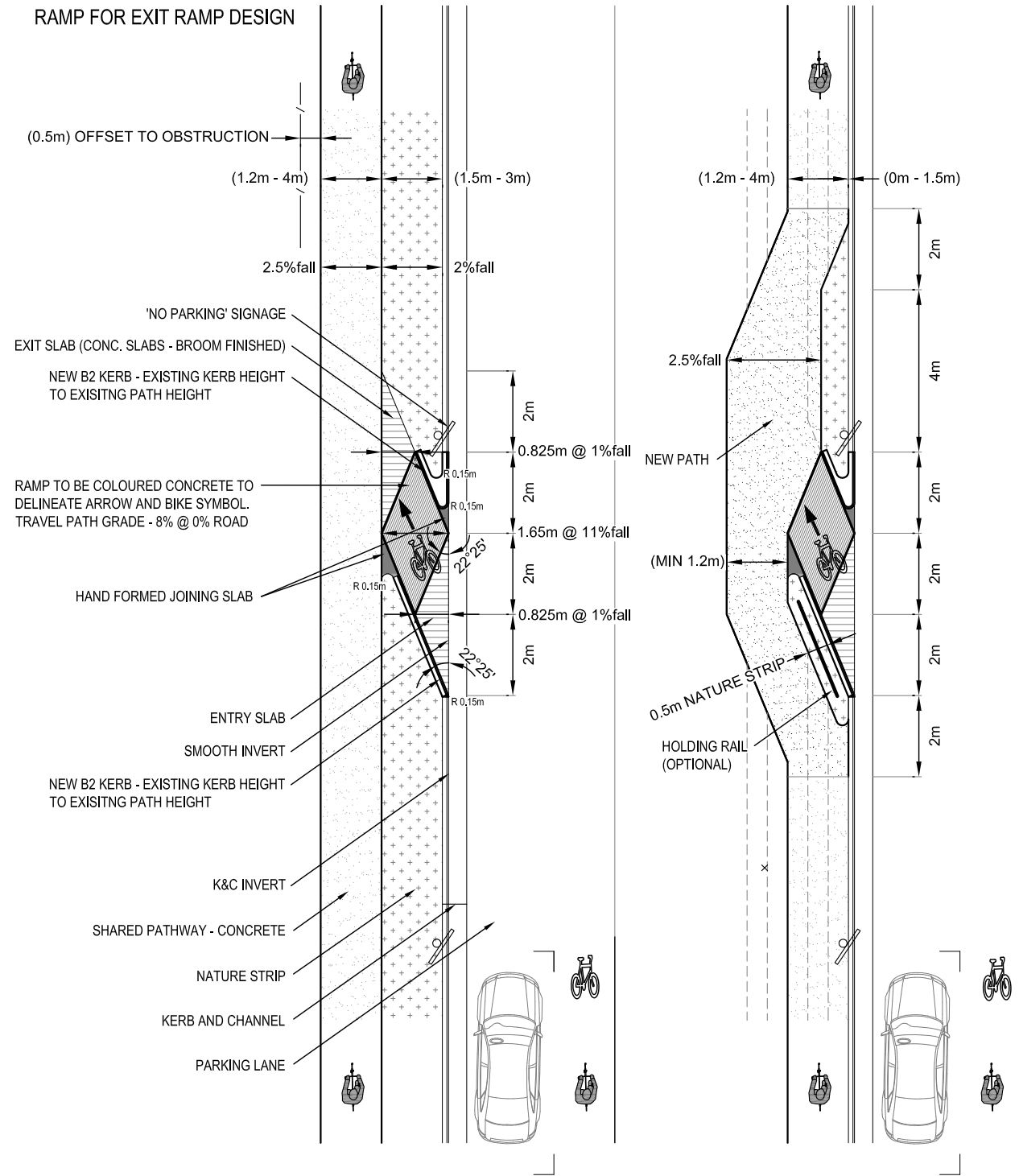


W:\SCC\VIS\GENERAL\SPECIFICATIONS\Standard Drawings\SCRC\ACAD\SCRC R-095 Bike Exit & Entry Ramps.dwg May 10, 2011 3:24pm

NOTE: MIRROR IMAGE ENTRY RAMP FOR EXIT RAMP DESIGN



**ROAD EXIT AND ENTRY RAMPS
LOWER SPEED MOVEMENTS <60km/h**

**ROAD EXIT AND ENTRY RAMPS
HIGHER SPEED MOVEMENTS >60km/h**

DRAFT

A1	EDCB								
	A	04/2011	ISSUE						
	Rv	DATE	REVISIONS	REC.	APPR.	RPEQ No.			

TRANSPORT & ENGINEERING SERVICES
ASSET & INVESTIGATIONS
Nambour Office
 Corner of Bury Street & Currie Street, Nambour.
 Locked Bag 72, Sunshine Coast Mail Centre, Nambour, QLD 4560
 Nambour ph.(07) 5475 8501 fax.(07) 5441 5338

Sunshine Coast
 Regional Council

ROAD EXIT AND ENTRY RAMPS

Project Number
STD DWG
 Drawing Sheet No.
R - 095