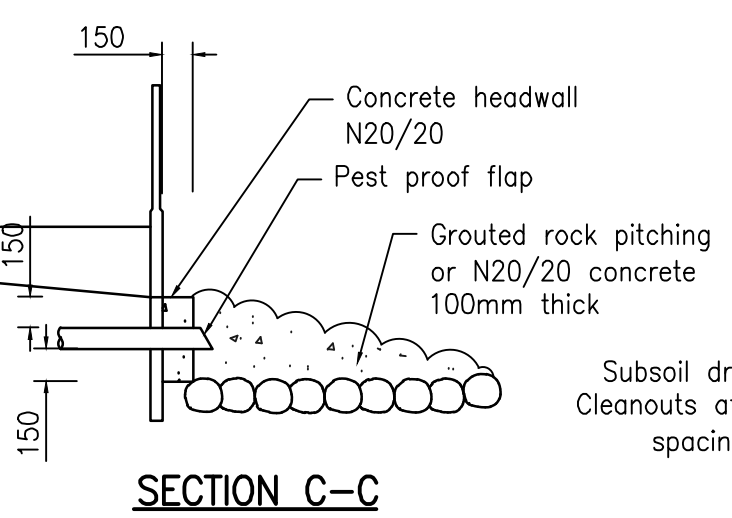
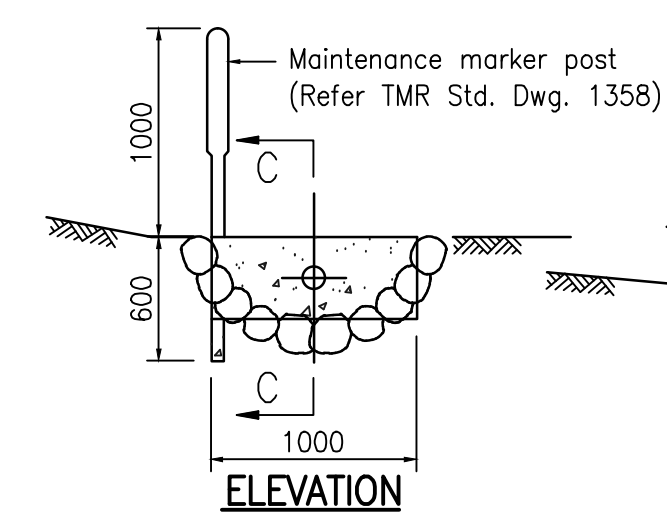
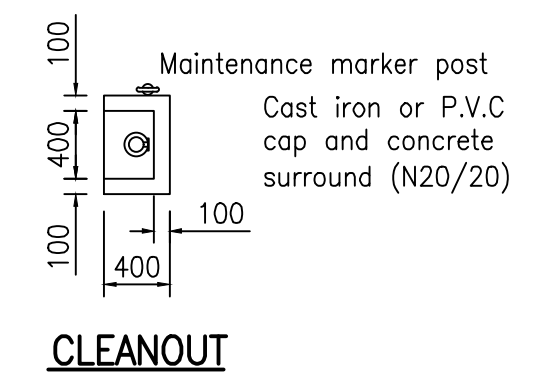
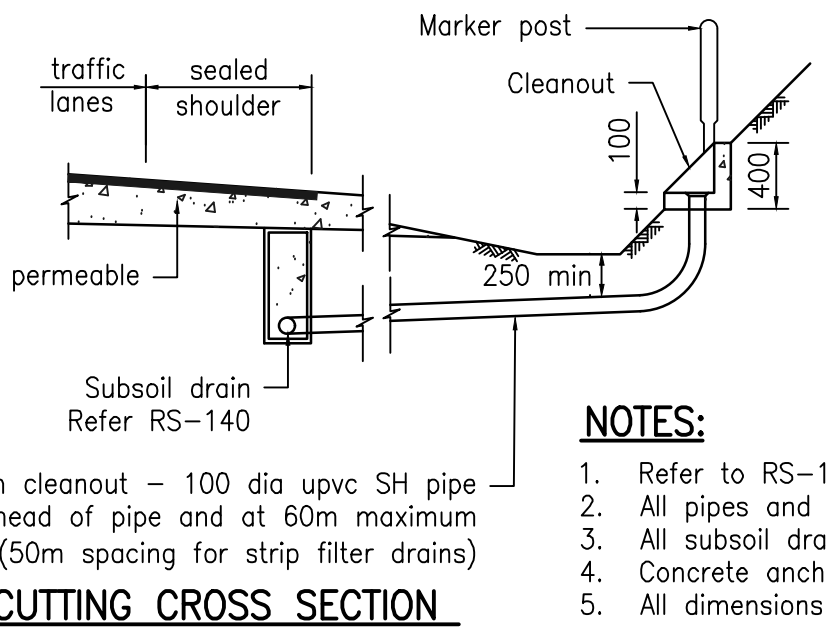


**CONNECTION DETAIL - ACCESS CHAMBER**

**CONNECTION DETAIL - KERB INLET**



**OUTLET TO NATURAL SURFACE**



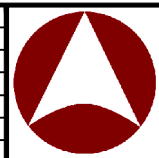
**SUBSOIL DRAIN AND CLEANOUT**

Subsoil drain cleanout - 100 dia upvc SH pipe  
Cleanouts at head of pipe and at 60m maximum spacings (50m spacing for strip filter drains)

- NOTES:**
1. Refer to RS-140 for subsoil drain details and locations.
  2. All pipes and fittings other than subsoil drains to be 100 dia Class 12 pipe.
  3. All subsoil drains shall be in accordance with DTMR specification MRTS03.
  4. Concrete anchors to be N25 in accordance with AS 1379 and AS 3600.
  5. All dimensions are in millimetres unless shown otherwise.

These drawings have been developed in consultation between the participating Councils.  
BEFORE USE the user shall confirm that the drawing has been adopted by the appropriate Council.

G	06/16	Review
F	06/14	Review
E	03/14	Amended Drawing number
D	12/11	Drawing number changed from SEQ R-142 to RS-142
C	06/11	Review
B	06/09	Review
Rv.	DATE	REVISIONS
	03/08	ORIGINAL ISSUE



**INSTITUTE OF PUBLIC WORKS ENGINEERING AUSTRALASIA  
STANDARD DRAWINGS**

**SUBSOIL DRAINS  
ACCESS POINTS**

**RS-142**

G
F
E
D
C
B
Rv.