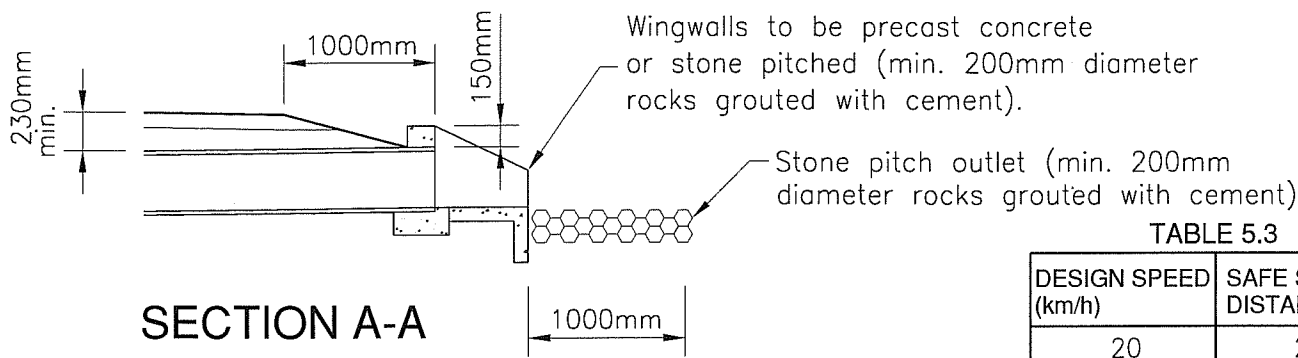


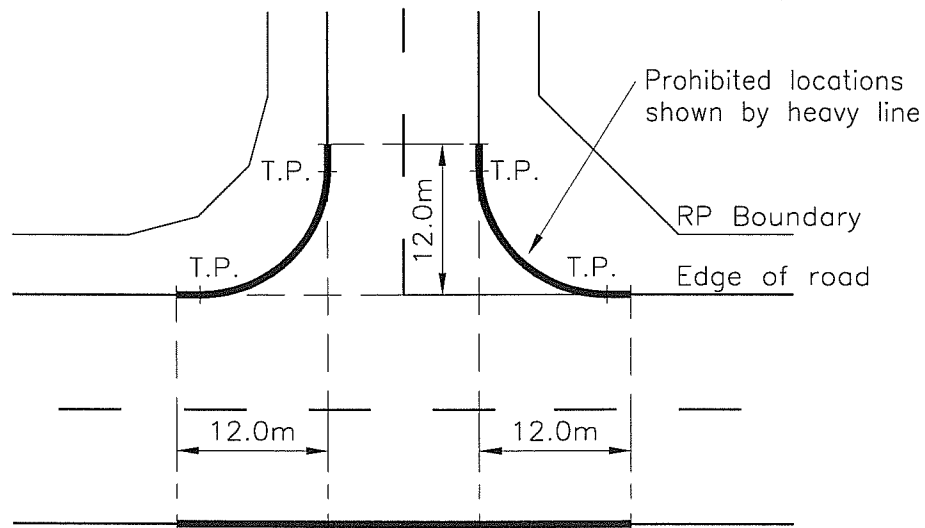
DRIVEWAY PLAN

100mm compacted gravel base, unbound pavement, type 2.4.

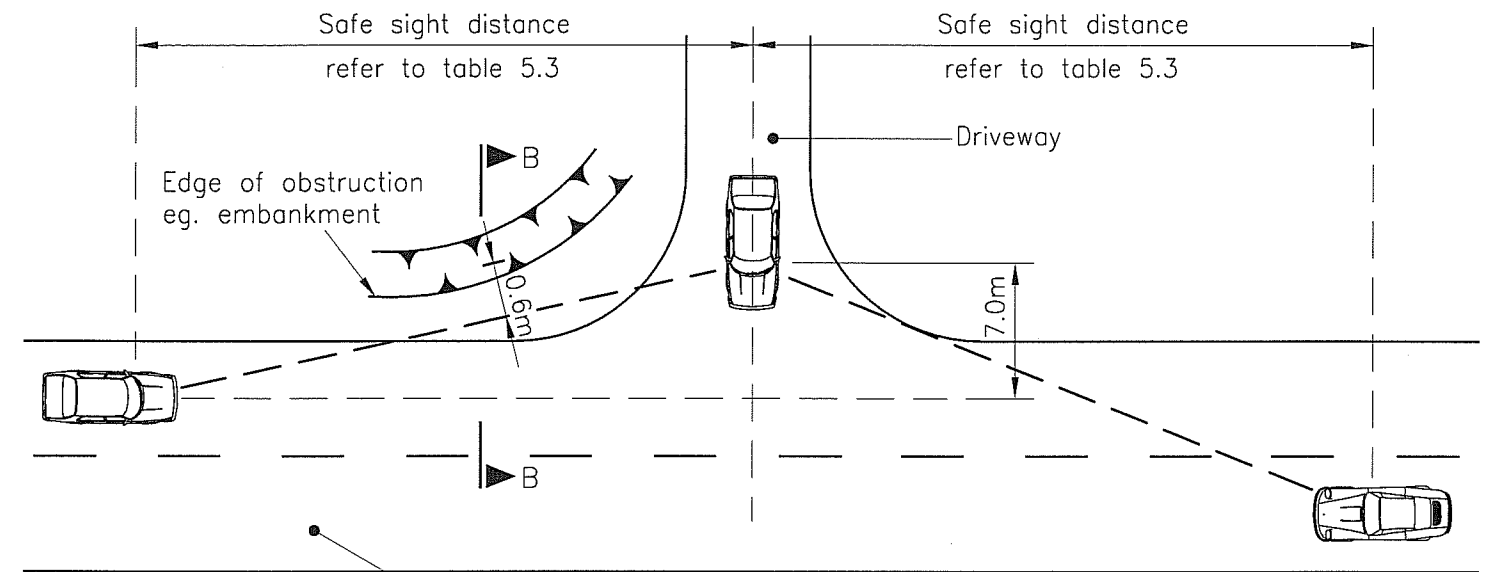
* Minimum pipe size 375 diameter RCP, larger pipe size may be required to suit catchment



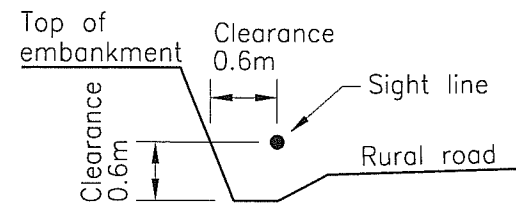
SECTION A-A



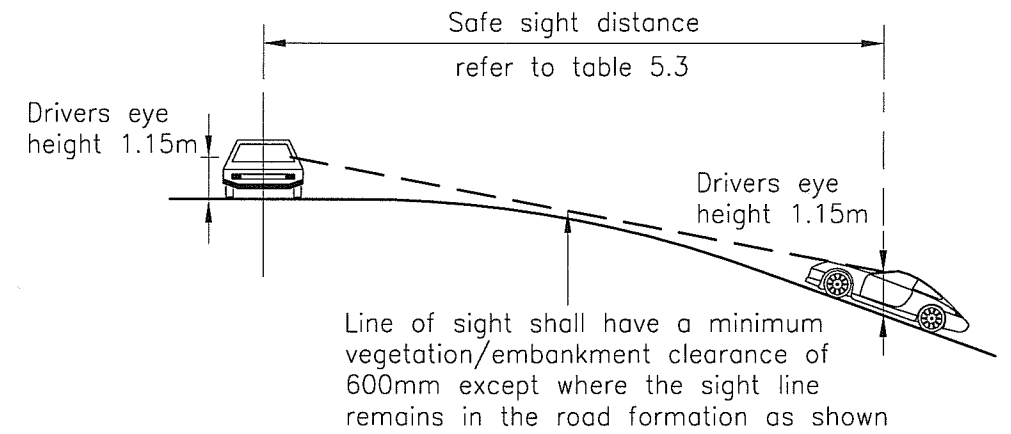
PROHIBITED LOCATIONS AT INTERSECTIONS FOR RURAL DRIVEWAYS



PLAN



SECTION B-B



LONGITUDINAL SECTION

SAFE SIGHT DISTANCE EXITING FROM DRIVEWAY

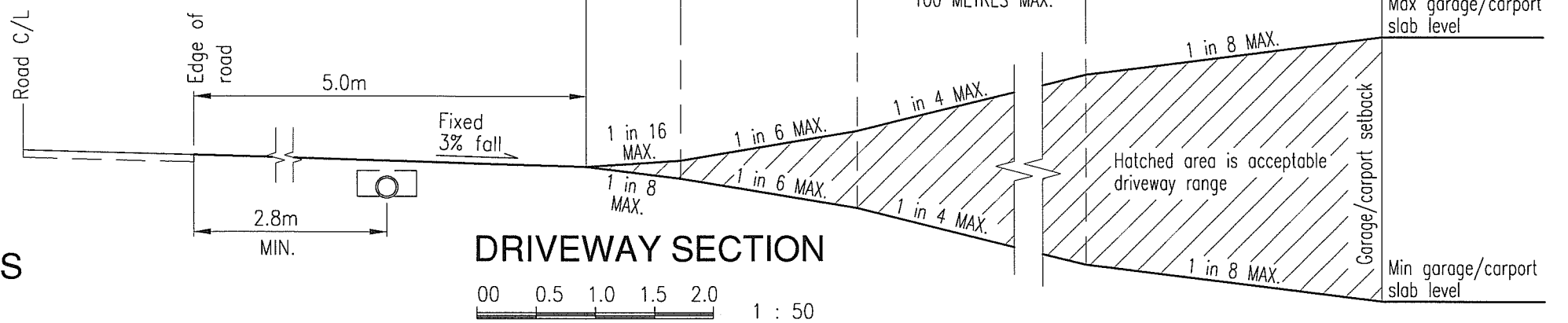
NOTE:

All services need to be located prior to any excavation.

TABLE 5.3

DESIGN SPEED (km/h)	SAFE SIGHT DISTANCE (m)
20	25
30	45
40	60
50	80
60	105
70	130
80	160
90	190
100	225
110	265

Design Speed - The speed that 85% of vehicles travel at or below. In lieu of accurate speed data, the speed limit + 10km/h may be used.



DRIVEWAY SECTION

C 23/11/2001 Alterations to table 5.3		KP	NJC	SURVEYOR Nil		DATE: 6 May 2000	MAROOCCHY SHIRE COUNCIL Shire Services Division Design & Survey Services Unit OFFICE: TELEPHONE FAX Council Chambers Nambour (07) 5441 8395 (07) 5441 8111 Cnr Bury and Currie Sts. Nambour P.O. Box 76, Nambour Qld 4560.		RURAL DRIVEWAY DETAIL PLAN	STANDARD DRAWING R-0056
B 30/10/2000 Include bar scale and hatch acceptable driveway range		DM	CM	DESIGNER D.Meredith		J.Warmington General Manager				
A 26/9/2000 Adjustment to driveway profile and note included		DM	CM	CHECKED D.McMahon						
Rv. DATE REVISIONS		REC.	APPR.	T.L.D.S. G.Taylor						
				Mgr.I.&P. S.Gregoriou						