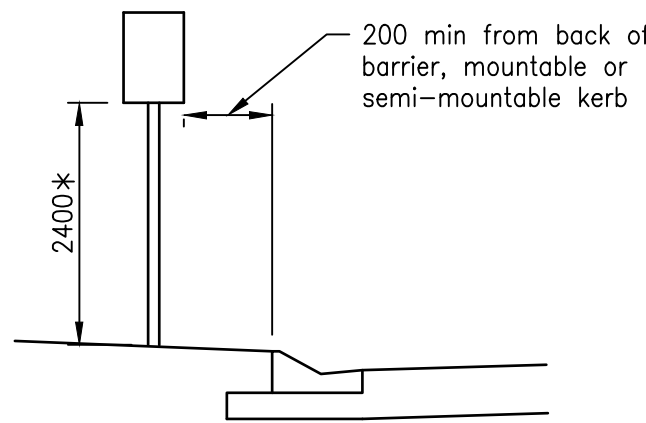
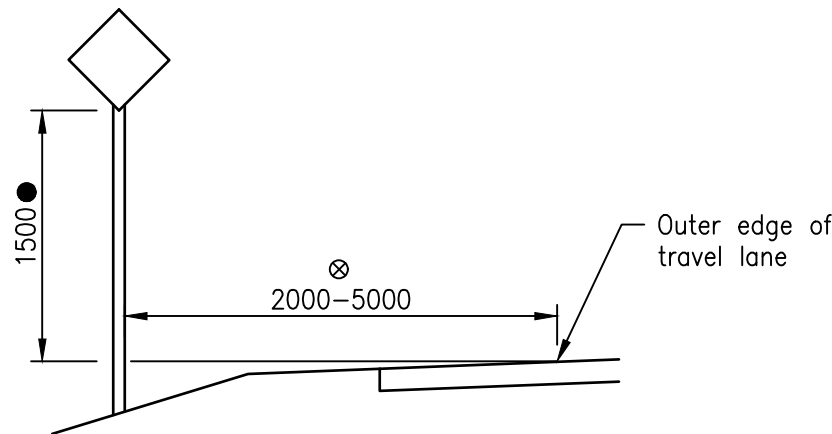


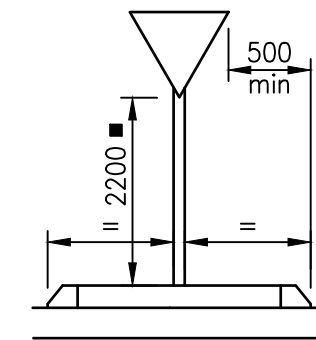
CAUTION
Confirm existence of services prior to installation of sign



RESIDENTIAL AREAS

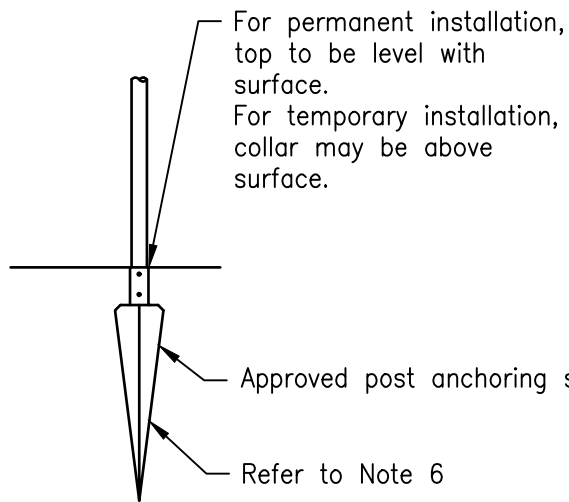


RURAL ROADS

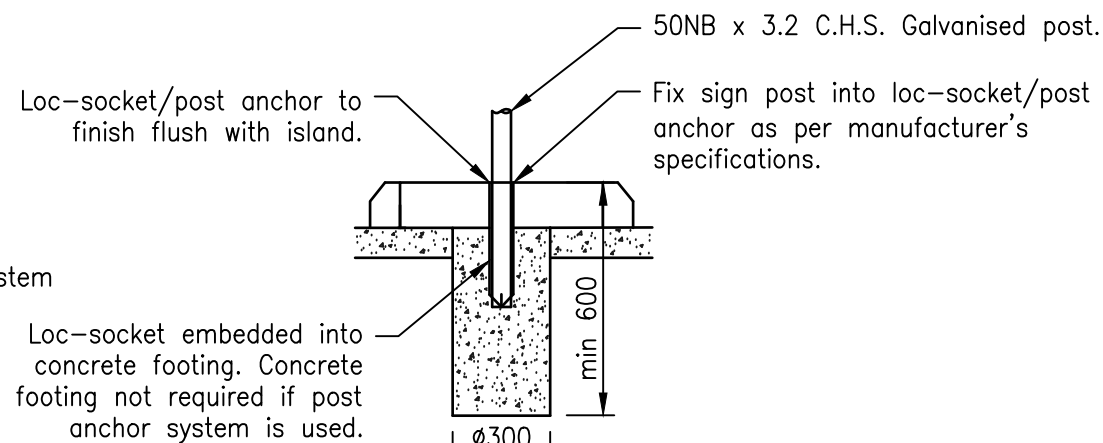


MEDIANS

LOCATION OF SIGNS



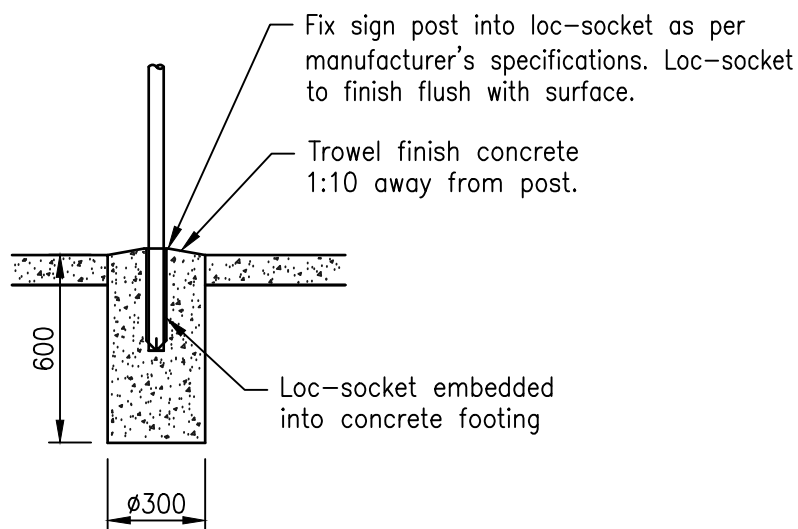
TYPICAL POST ANCHOR



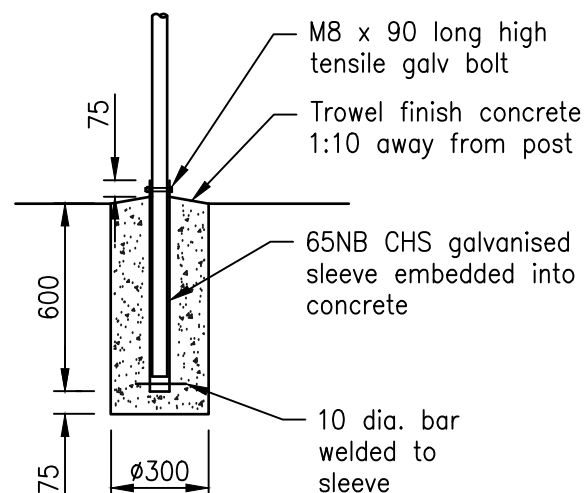
MEDIANS

LEGEND

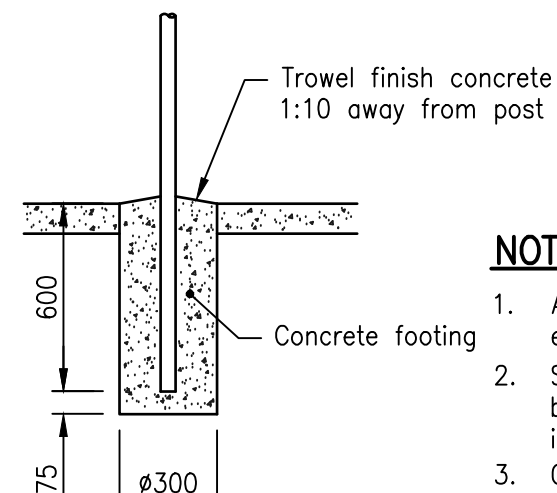
- * When sign overhangs a pathway, dimension to be 2500.
- Parking and Guide signs to be 2200 above road surface.
- Some signs (Keep Left, No-U Turn, D4 Hazard series) to be mounted at 525. Height can be adjusted if there is a visibility problem.
- ⊗ At least 600 clearance to be provided to outer edge of shoulder, line of guide posts or guardrail.



LOC-SOCKET (OR SIMILAR)



TYPICAL SLEEVE



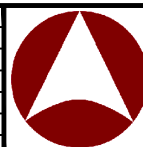
CONCRETE FOOTING

NOTES:

1. All signs are to be approved by relevant Council prior to erection.
2. Signs to be positioned on the side of street/road that provides best visibility. Underground services are to be located prior to installation.
3. Concrete N20 in accordance with AS 1379 and AS 3600.
4. Bars $\phi 10$, Grade 250 to AS 1302.
5. Refer to MUTCD for sign locations.
6. Relevant Council approved post anchoring system to be installed to comply with manufacturer's specifications. Other post mounting systems may be used if approved by relevant Council.
7. All dimensions are in millimetres unless shown otherwise.

These drawings have been developed in consultation between the participating Councils. BEFORE USE, the user shall confirm that the drawing has been adopted by the appropriate Council.

E	06/16	Review
D	06/14	Review
D	03/14	Amended Drawing Number
C	12/11	Drawing number changed from SEQ R-131 to RS-131
B	06/11	Review Issue
A	11/09	ORIGINAL ISSUE
Rv.	DATE	REVISIONS



**INSTITUTE OF PUBLIC WORKS ENGINEERING AUSTRALASIA
STANDARD DRAWINGS**

**ROAD FURNITURE
TRAFFIC SIGN INSTALLATION DETAILS**

RS-131

E
D
C
B
A
Rv.